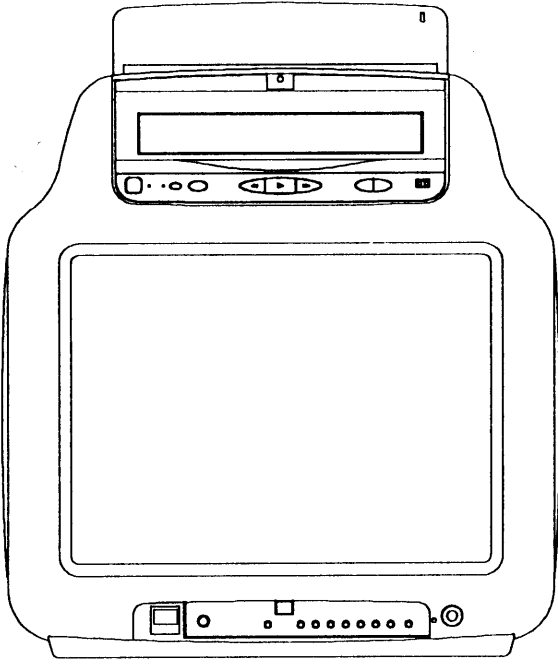


TEAC[®]



SERVICE MANUAL

MV-1416P

34cm COLOUR TELEVIDEO

CONTENTS

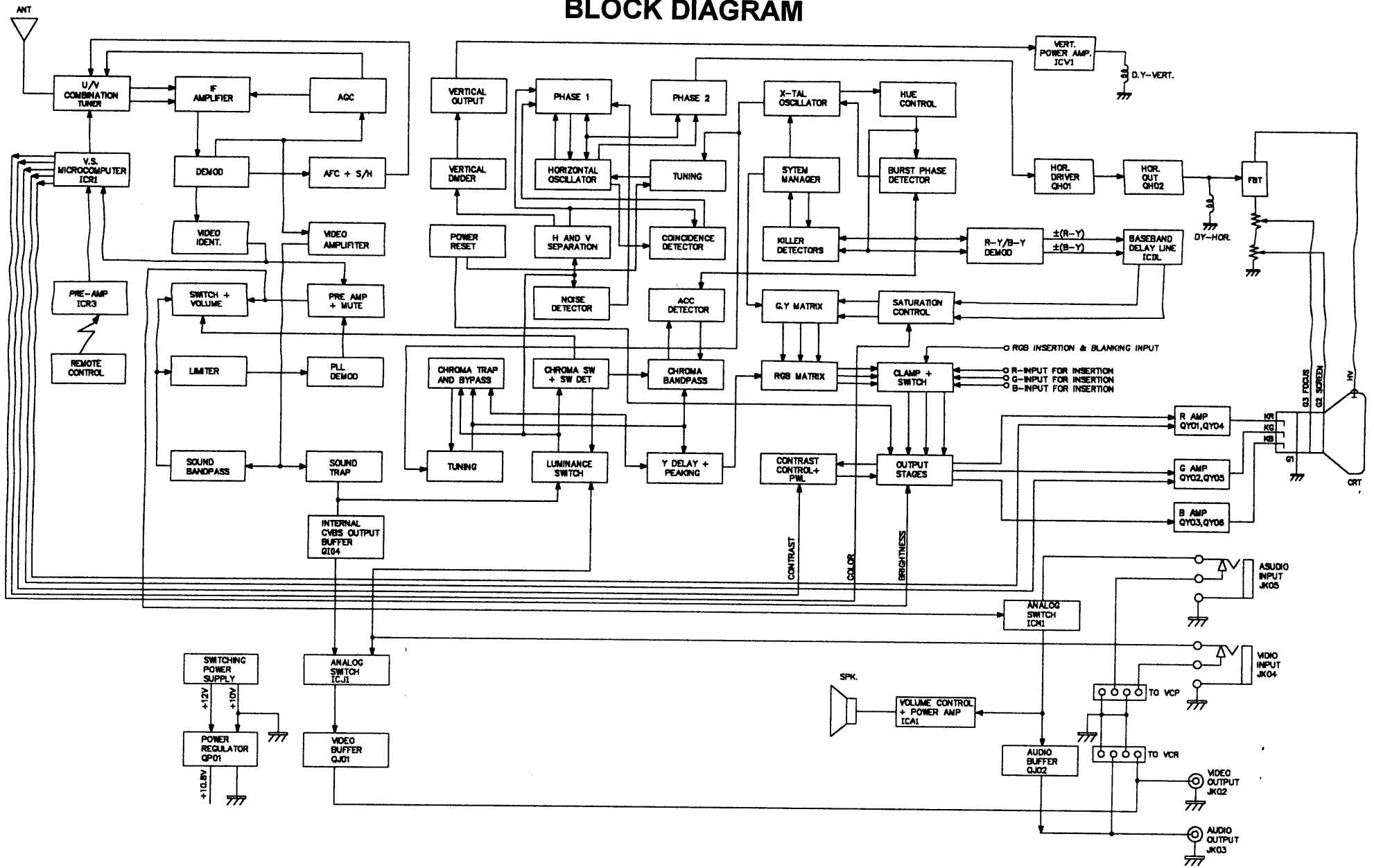
SECTION 1-- TV PART

TV BLOCK DIAGRAM.....	3
TV SPECIFICATIONS.....	4
GENERAL ALIGNMENT INSTRUCTIONS.....	7
TV PRINTED CIRCUIT BOARDS.....	9
TV SCHEMATIC DIAGRAM.....	13
IC BLOCK DIAGRAM.....	15
PARTS LIST.....	21
CABINET EXPLODED VIEW.....	32

SECTION 2-- VCP PART

VCP BLOCK DIAGRAM.....	34
VCP SPECIFICATIONS.....	35
WIRING DIAGRAM.....	36
ELECTRICAL ADJUSTMENT.....	37
MECHANICAL ADJUSTMENT.....	39
TROUBLE SHOOTING FLOW CHART.....	43
WAVEFORMS ON VIDEO CIRCUIT.....	58
μ -COM PORT.....	61
ASSEMBLING DIAGRAM & CHECK FOR THE MAJOR PARTS.....	63
EXPLODE VIEW AND PARTS LIST.....	66
VCR PRINTED CIRCUIT BOARDS.....	71
VCR SCHEMATIC DIAGRAMS.....	73

BLOCK DIAGRAM



SPECIFICATIONS

MODEL: TVR-440A(AUST.)

OUTPUT: 50 mV

DATE:28/02/98

SUPPLY VOLTAGE: AC 240V/50Hz

LOAD : 16 ohm

GENERAL INFORMATION: TV 75 OHM INPUT ANT. SIDE VOLTAGE 0 dB=1uV

PAGE: 1

DESCRIPTION		UNIT	LIMIT	NORMAL	NO.1	NO.2	NO.3
VL BAND							
TUNING RANGE	HIGH	MHz	102.25	106			
	LOW	MHz	45.25	44			
MAX./USABLE SENS.	CH-0	dB	46	40			
	CH-3	dB	46	40			
	CH-5	dB	46	40			
COLOR SENS	CH-3	dB	40	32			
IF REJ.	CH-3	dB	40	50			
IMAGE REJ.	CH-3	dB	40	50			
VH BAND							
TUNING RANGE	HIGH	MHz	216.25	220.25			
	LOW	MHz	138.35	130			
MAX/USABLE SENS	CH-5A	dB	46	40			
	CH-9	dB	46	40			
	CH-11	dB	46	40			
COLOUR SENS	CH-9	dB	40	32			
IF REJ.	CH-9	dB	50	60			
IMAGE REJ.	CH-9	dB	40	50			
UHF BAND							
TUNING RANGE	HIGH	MHz	855.25	880			
	LOW	MHz	471.25	450			
MAX/USABLE SENS	CH-21	dB	52	46			
	CH-30	dB	52	46			
	CH-40	dB	52	46			
	CH-50	dB	52	46			
	CH-69	dB	52	46			
COLOUR SENS	CH-40	dB	40	32			
IF REJ.	CH-40	dB	40	50			
IMAGE REJ.	CH-40	dB	30	40			
CONTRAST RANGE		dB	3	6			

DESCRIPTION	UNIT	LIMIT	NORMAL	NO. 1	NO. 2	NO. 3
SOUND						
MAX. OUTPUT	mW	700	1000			
OUTPUT @10% THD.	mW	500	700			
THD @ REF O/P	%	5	3			
S/N	dB	30	35			
AM SUPP.	dB	25	30			
MIN. HUM	mV	30	15			
RESPONSE FH 6 KHz	dB	-3±6	-3±3			
FL 125 Hz	dB	-3±6	-3±3			
SIF. FREQ. ERROR	KHz	±100	0			
PICTURE						
HOR. FREQ.	Hz	±500	15625			
HOR. PULL-IN +	Hz					
-	Hz					
LINEARITY VERT.	%	15	10			
HOR.	%	25	15			
PINCUSHION DIST.	%	2	1			
BARREL DIST. DIST.	%	2	1			
KEYSTANE DIST.	%	2	1			
V/H OVERSCANNING	%	100±5	100			
LUMINANCE BRIG. MAX.	lux	200	250			
VA TEST						
H.V. MAX.	kV	20±2	22			
H.V. MIN.	kV	20±2	20			
REG. VOLTAGE	V	10.7±0.1	10.7			
AC CONSUMPTION	W	94	84			
DC CONSUMPTION	W	74	68			

DESCRIPTION		UNIT	LIMIT	TEST CONDITION
VIDEO CASSETTE PLAYER				
VIDEO RESOLUTION	V	LINE	250	MONO SCOPE PATTERN
	H	LINE	200	MONO SCOPE PATTERN
VIDEO OUTPUT LEVEL 75 OHM LOAD		Vp-p	1.0 ± 0.2	COLOR BAR+100% WHITE
AUDIO OUTPUT LEVEL 10K OHM LOAD		dBm	-5 ± 3	1 kHz 0 dBm
S/N RATIO OF VIDEO OUTPUT				
(a) LUMINANCE SIGNAL	SP	dB	40	100% CHROMA PATTERN
(b) CHROMINANCE SIGNAL AM	SP	dB	35	100% CHROMA PATTERN
(c) CHROMINANCE SIGNAL PM	SP	dB	32	100% CHROMA PATTERN
AUDIO PART				
HUM		mV	7 MAX.	NO AUDIO
FREQUENCY RESPONES (1 KHz = 0 dB INPUT LEVEL -10dB)				
SP MODE 150 KHz → 6 KHz		dB	-6 ± 6	400 → 8K → 150Hz-20dBm
S/N RATIO (1 KHz-10dB)	SP	dB	30	
DISTRIBUTION (1 KHz INPUT LEVEL -10dB)		%	5 MAX.	
WOW / FLUTTER 3 KHz CCIR WTD		%	≤ 0.35	
JITTER JIS NORMAL		usec	0.3 MAX	MONO SCOPE PATTERN
FAST FORWARD TIME (T-120 TAPE)		MIN	8 MAX	
REWIND TIME (T-120 TAPE)		MIN	8 MAX	
TAPE SPEED DEVIATION SP	MODE	Hz	3000 ± 90	
DRUM SERVO PULL IN TIME				
STOP, REW, FF → PB		SE	7 MAX	
CAPSTAN SERVO PULL IN TIME				
STOP, REW, FF → PB		SE	7 MAX	

VIDEO CASSETTE RECORDED / PLAYER ELECTRICAL SPECIFICATION

DESCRIPTION		UNIT	LIMIT	TEST CONDITION
PICTURE PART				
VIDEO OUTPUT LEVEL		p-p	1.0 ± 0.2	COLOR BAR WITH 100%
AUDIO OUTPUT LEVEL		dBm	-5 ± 3	COLOR BAR 1KHz 0dB
(a) LUMINANCE SIGNAL		dB	40	HPF 100 Hz, LPF 500KHz
(b) CHROMINANCE SIGNAL AM		dB	35	HPF 10KHz, LPF 5MHz
(c) CHROMINANCE SIGNAL PM		dB	32	HPF 100 Hz, LPF 500KHz
HUM		mV	7 MAX.	HPF 100Hz, LPF 500KHz
SP MODE 150 KHz → 6 KHz		dB	-6 ± 6	IN LEVEL-20dB 400Hz:0dB
S/N RATIO (1 KHz-10dB)	SP	dB	25	IN LEVEL -10dB 1 KHz
DISTRIBUTION		%	5 MAX.	IN LEVEL -10dB 1 KHz
WOW / FLUTTER 3 KHz CCIR WTD		%	3000 ± 9	3 KHz OSC. INPUT

GENERAL ALIGNMENT INSTRUCTIONS

REGULATOR ADJUSTMENT

1. CONNECT TV UNIT TO AC 220 V POWER. SUPPLY & TEST PATTERN GENERATOR.
2. CONNECT A DC DIGITAL VOLTMETER OR OTHER PRECISION ACCURACY VOLTMETER TO THE EMITTER OF THE REGULATOR OUTPUT TRANSISTOR QP01 (OR ANY 12 VOLT POINT OR TP1).
3. VERTICAL HIGHTNESS ALIGNMENT
ADJUST THE VERTICAL HIGHTNESS VRV1 ENABLE THE CIRCLE OF PICTURE APPROACH TO CIRCLE.
4. VERTICAL POSITION ALIGNMENT
ADJUST HORIZONTAL POSITION VRV2, LET THE SQUARE SIGNAL IN THE CENTER OF THE SCREEN.
5. HORIZONTAL POSITION ALIGNMENT
ADJUST HORIZONTAL POSITION VRH1, LET THE SQUARE SIGNAL IN THE CENTER OF THE SCREEN.
6. RF AGC ALIGNMENT
ADJUST VIF MODULE AGC CONTROL VR11, AT INPUT SIGNAL INTENSITY 50 dB, THE SCREEN COULD LOOKING CLEAR AND 80 dB THE SCREEN DON'T INFLECT.
7. WHITE BALANCE ALIGNMENT
ADJUST THE VRY4, VRY5, AT SENTER POSITION, ADJUST SCREEN VR, LET THE SCREEN WILL BE LITTLE BRIGHTNESS. ADJUST VRY4 LET THE SCREEN TO BE YELLOW, AND THEN ADJUST VRY5 LET THE SCREEN APPROACH TO WHITE.
8. FOCUS ADJUSTMENT
ADJUST FOCUS VR, LET THE STRIP ON THE SCREEN TO BE CLEAR.

GENERAL ALIGNMENT INSTRUCTIONS

1. VIDEO IF ALIGNMENT

TEST EQUIPMENT CONNECTION (SEE FIGURE)

OSCILLOSCOPE : CONNECT TO ICQ1 PIN7.

SWEEP GENERATOR : CONNECT THROUGH A MATCHING PAD TO TEST POINT (T.P.3)

MARKER GENERATOR: COUPLE LOOSLY TO THE OUTPUT CABLE OF SWEEP GENERATOR.

DC SUPPLY : ADD AC 220V POWER SUPPLY.

ADJUST SWEEP GENERATOR TO LOWEST SIGNAL LEVEL CONSISTENT WITH USABLE.			
STEP	SWEEP FREQUENCY	MARKER FREQUENCY	REMARK
ADJUST VIF DETECTOR LI01 FOR MARKER POINT MAXIMUM.	30-50 MHz FOR NTSC, 65 MHz FOR JAPAN, 25-45 MHz FOR CCIR.	SYSTEM B,G,H, 36.7 MHz, SYSTEM I 37.3 MHz, SYSTEM M,N 44 MHz, 58.75 MHz FOR JAPAN, 34.7 MHz FOR AUSTRARIA SYSTEM.	PARENTHESIS FOR EXCEPTION.

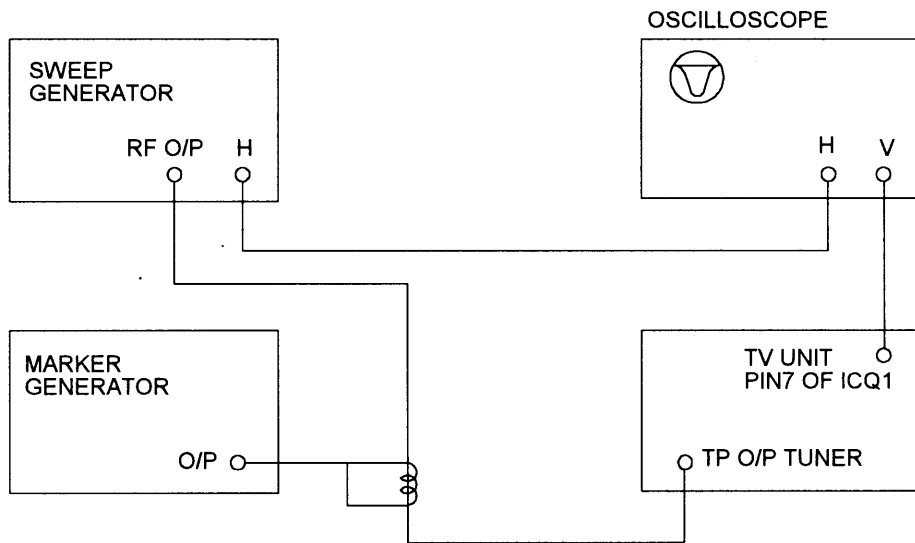


FIGURE 2. VIDEO IF ALIGNMENT CONNECTING FIGURE

(2) VERTICAL DEFLECTION ALIGNMENT

1. TUNE THE RECEIVER IN A TEST PATTERN.
2. ADJUST V-SIZE CONTROL VRV1 TO MAKE.

THE INSIDE OF THE LARGEST CIRCLE OF TEST PATTERN REACHES NEAR ROUND PATTERN. ROUND PATTERN. (SEE THE FIGURE 3).

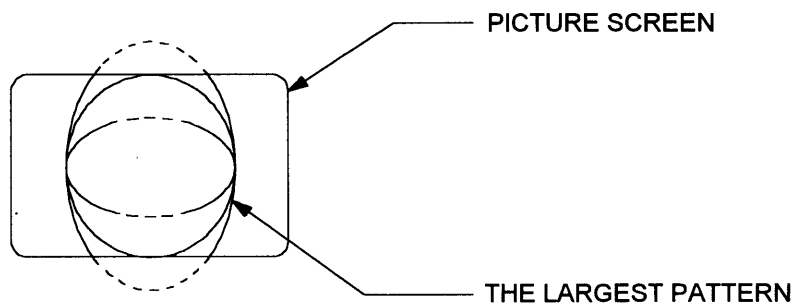
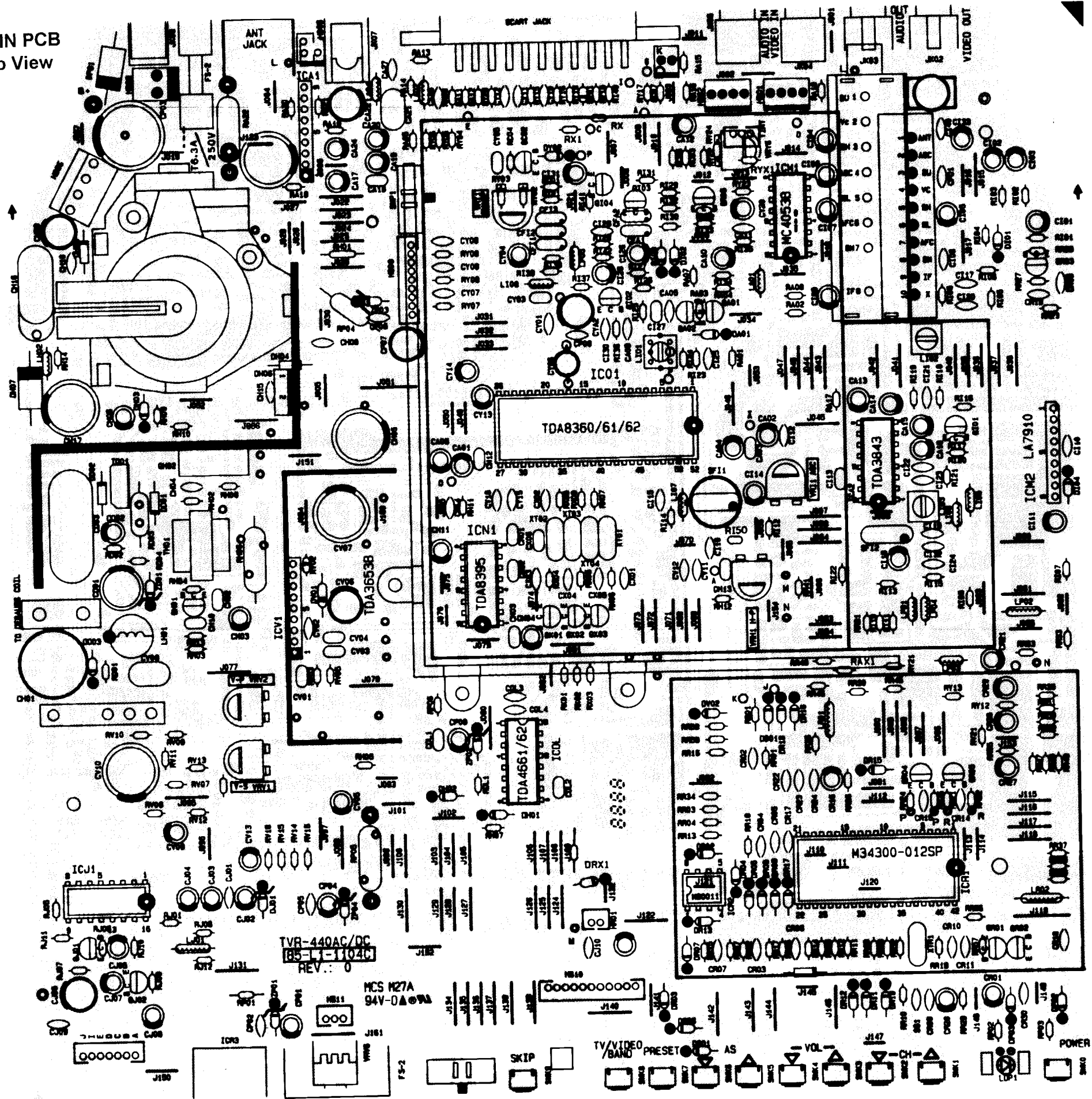


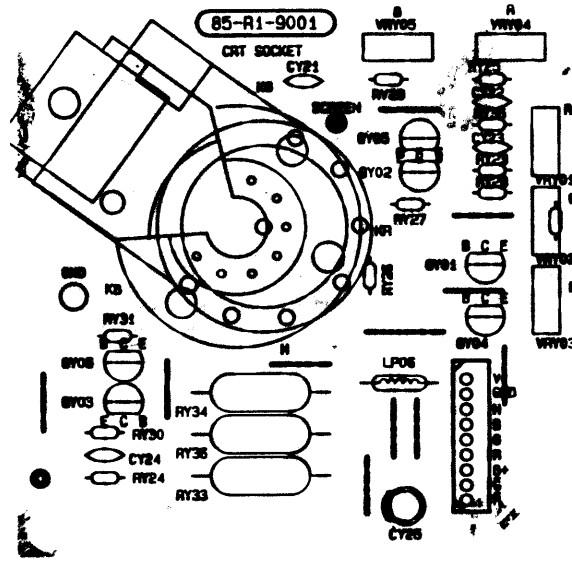
Figure 3.

PRINTED CIRCUIT BOARDS

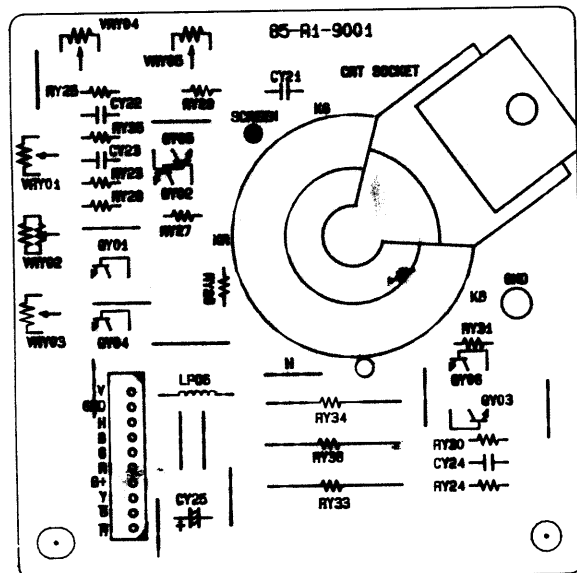
MAIN PCB
Top View



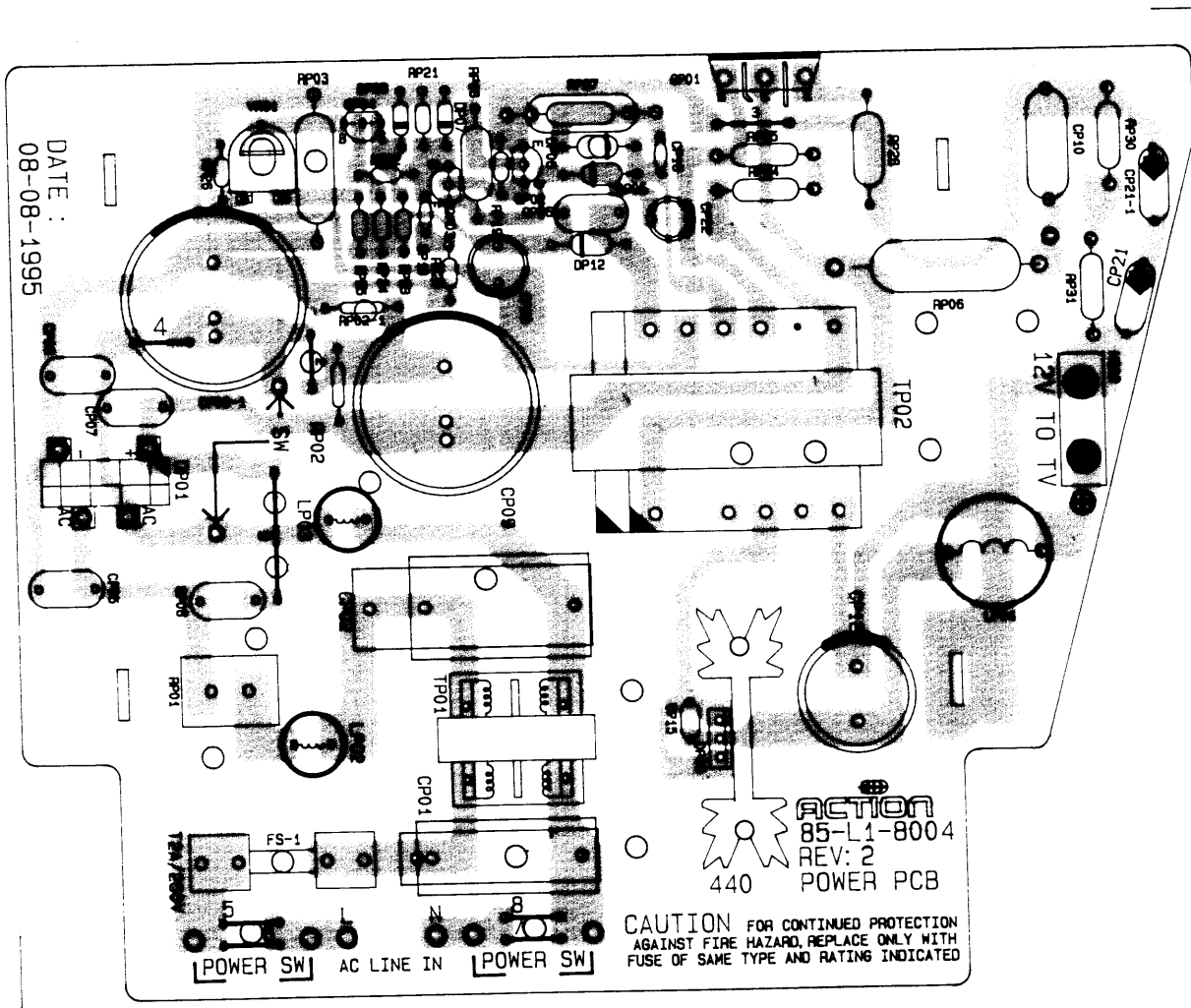
CRT SOCKET P.C.B TOP VIEW



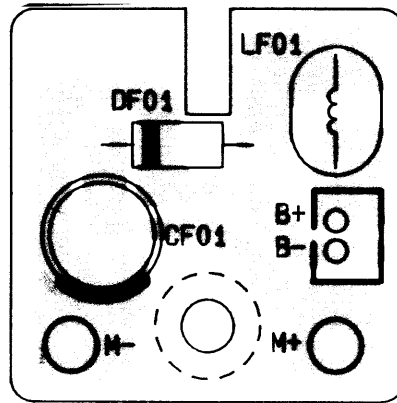
CRT SOCKET P.C.B BOTTOM VIEW

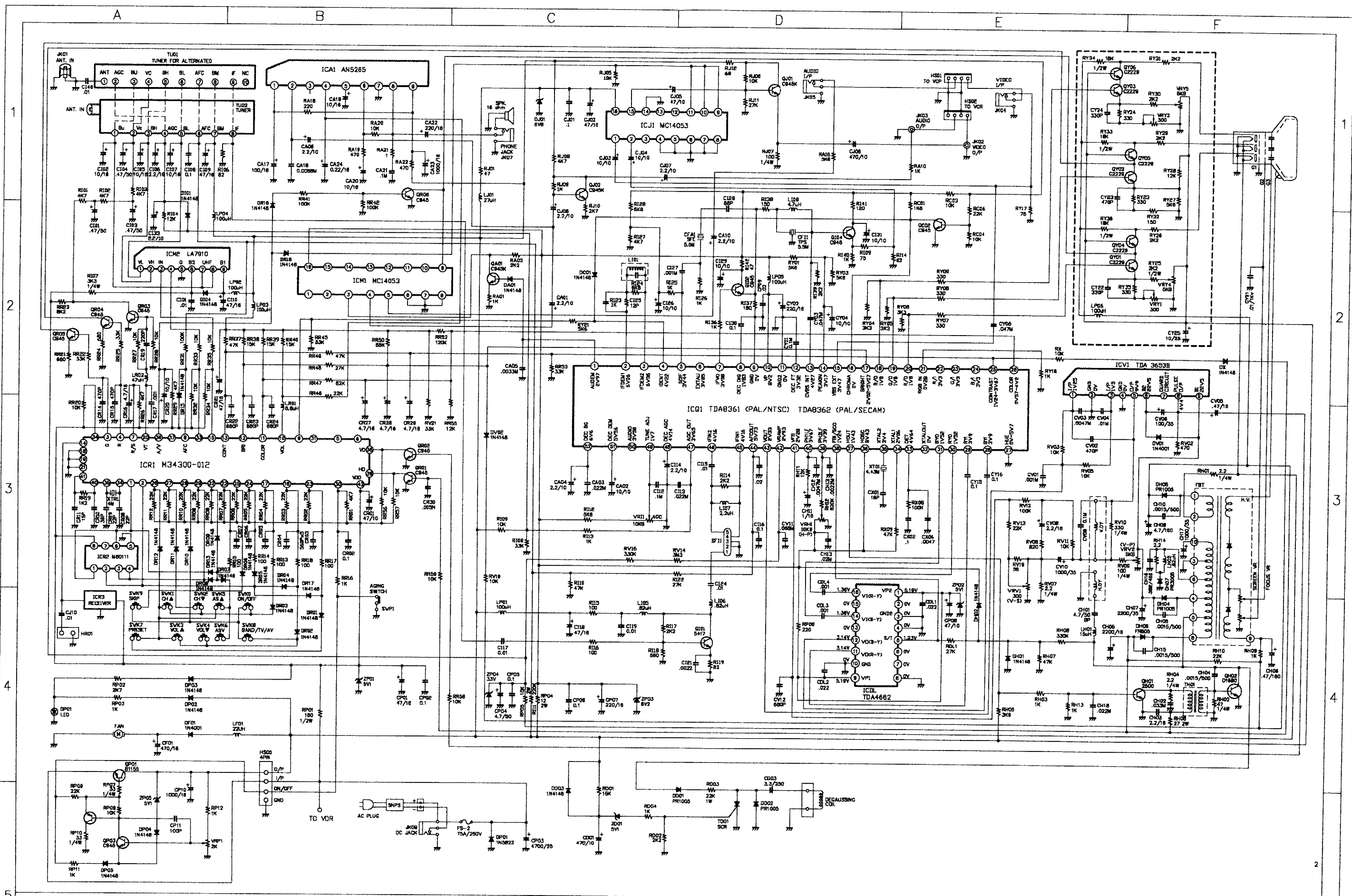


SW POWER P.C.B TOP VIEW

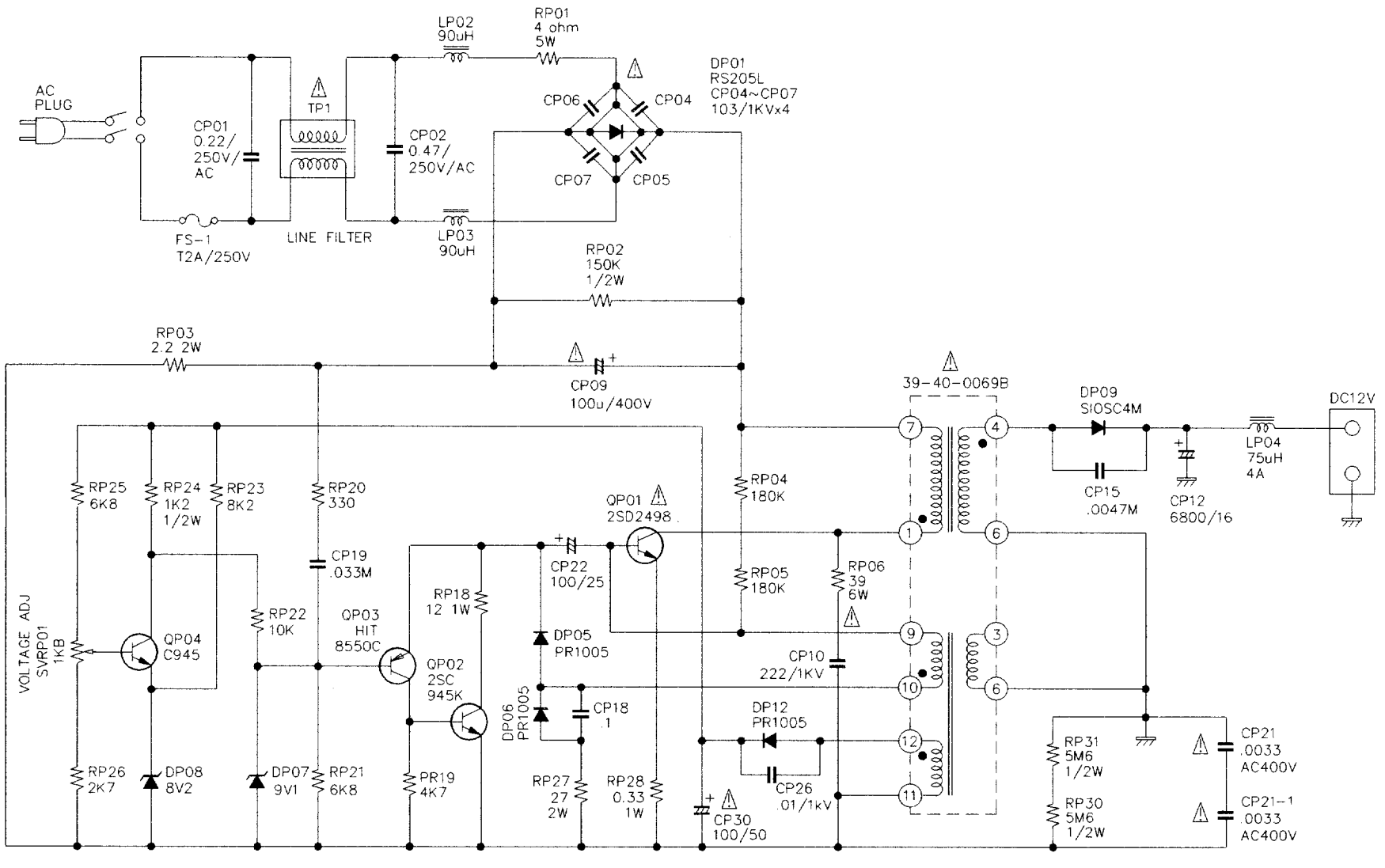


FAN P.C.B TOP VIEW





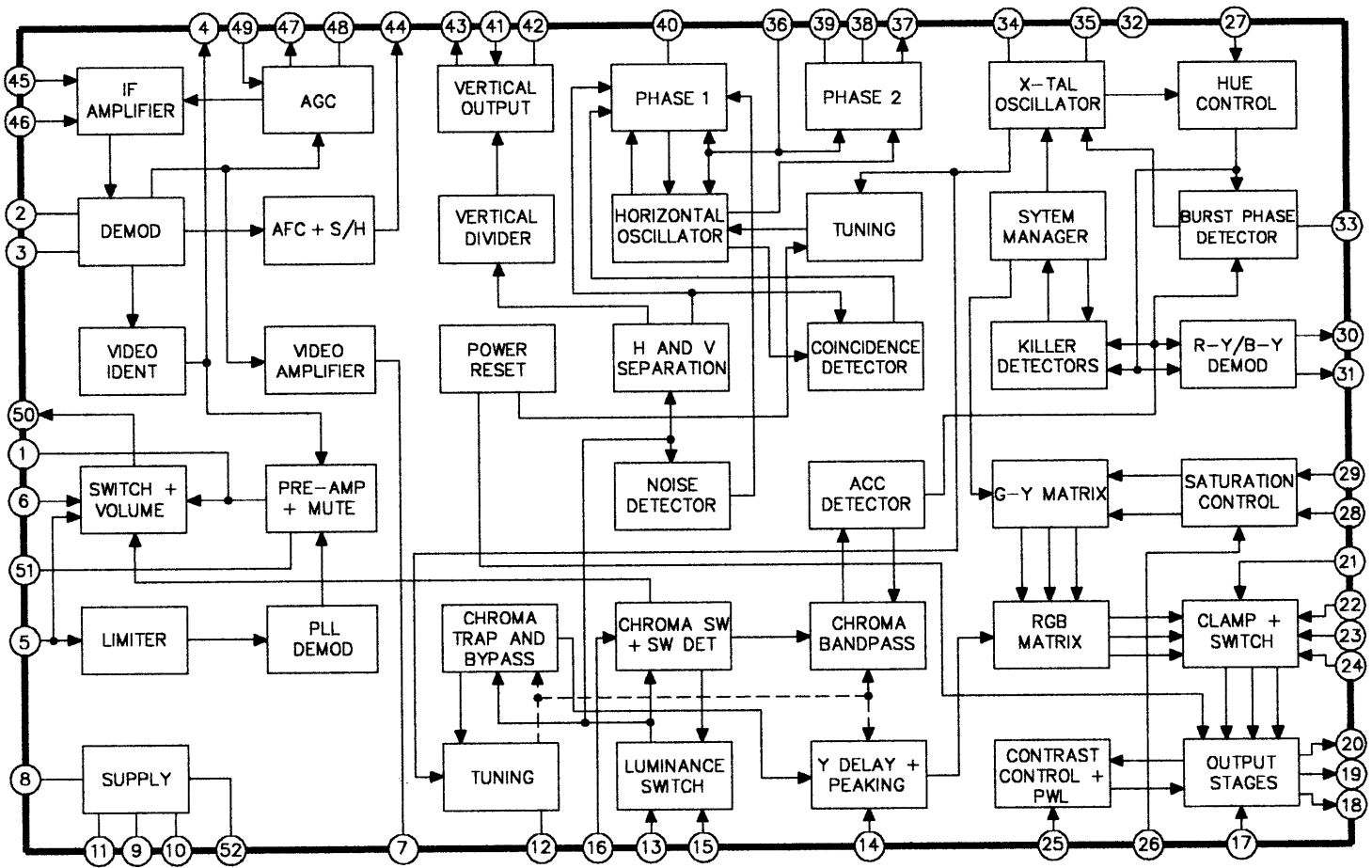
REVISION	MOD RECORD	ACTION ELECTRONICS CO., LTD. 德豐電子股份有限公司 TITLE: TVR-440A AC/DC SCHEMATIC DIAGRAM
REV. 0	1995/08/28	
REV. 1 (AMP)	1997/03/20	
REV. 2 (AMP)	1998/10/09	
REV. 3		
REV. 4		DRAWING NO. REV.
		05-L1-1905 0
		SH2



REVISION	MOD RECORD	ACTION ELECTRONICS CO., LTD.	
REV. 0	1995/01/25	億聲電子股份有限公司 (AMP.)	
REV. 1 (AMP)	1995/08/17	TITLE: TVR-440B AC/DC SWITCH POWER SCHEMATIC DIAGRAM	
REV. 2 (AMP)	1997/03/08		
REV. 3			DRAWING NO. 2
REV. 4			05-L1-1306 SH3

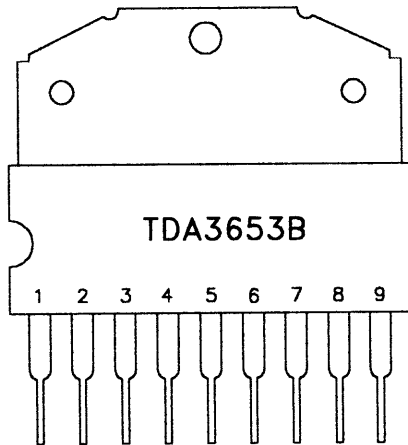
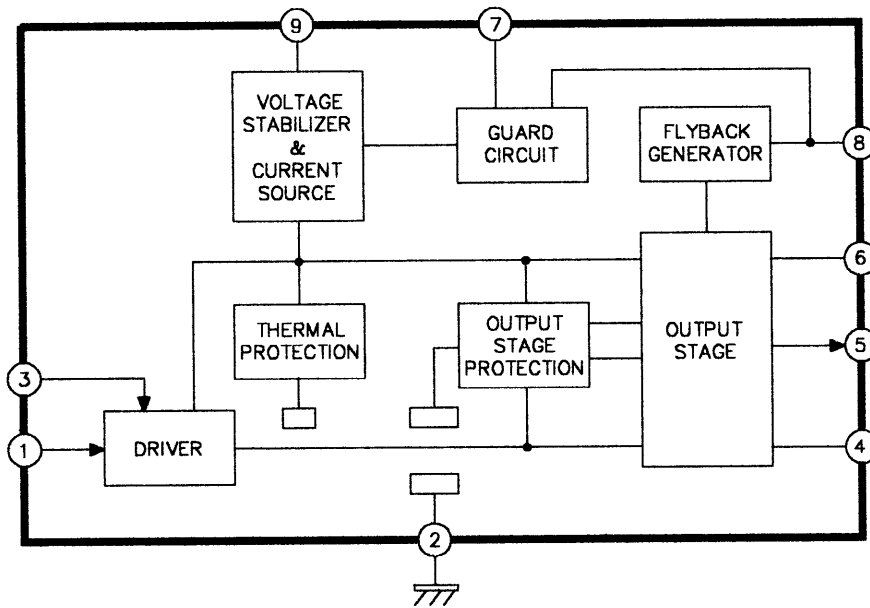
IC BLOCK DIAGRAM

ICQ1 TDA8362



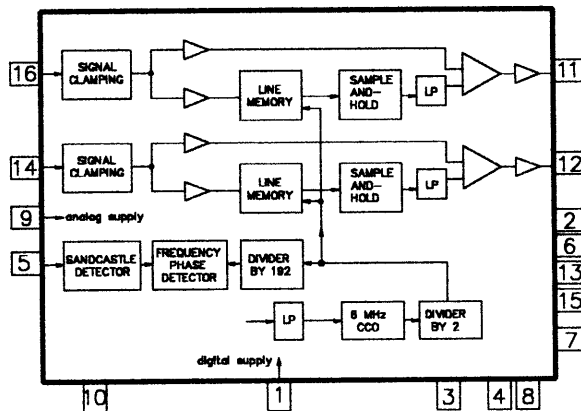
- | | | | |
|--------------------------------------|-----------|---|---------|
| 1. audio de-emphasis | 2.9 V | 27. hue control input (or chrominance output) | 0~5.7 V |
| 2. IF demodulator tuned circuit | 6.1 V | 28. B-Y input signal | 3.9 V |
| 3. IF demodulator tuned circuit | 6.1 V | 29. R-Y input signal | 3.9 V |
| 4. video identification output | 4.2 V | 30. R-Y output signal | 1.5 V |
| 5. sound IF input and volume control | 3.4 V | 31. B-Y output signal | 1.5 V |
| 6. external audio input | 3.8 V | 32. | 0 V |
| 7. IF video output | 3.1 V | 33. loop filter burst phase detector | 4.6 V |
| 8. decoupling digital supply | 1.8 V | 34. 3.58 MHz XTAL connection | 2.1 V |
| 9. ground 1 | 0 V | 35. 4.43 MHz XTAL connection | 3.4 V |
| 10. positive supply voltage | 8.2 V | 36. start horizontal oscillator | 8.4 V |
| 11. ground 2 | 0 V | 37. horizontal output | 1.4 V |
| 12. decoupling filter tuning | 3.3 V | 38. flyback input/sandcastle output | 1.2 V |
| 13. internal CVBS input | 4.2 V | 39. phase 2 loop filter | 3.3 V |
| 14. peaking control input | 3.1 V | 40. phase 1 loop filter | 3.6 V |
| 15. external CVBS input | 3.4 V | 41. vertical feedback input | 2.2 V |
| 16. chrominance and A/V switch input | 0 V | 42. vertical ramp generator | 2.9 V |
| 17. brightness control input | 5.1 V | 43. vertical output | 2.3 V |
| 18. B output | 1.8 V | 44. AFC output | 5.7 V |
| 19. G output | 1.8 V | 45. IF input 1 | 4.1 V |
| 20. R output | 1.8 V | 46. IF input 2 | 4.1 V |
| 21. RGB insertion and blanking input | 0.2 V | 47. tuner AGC output | 3.6 V |
| 22. R input | 3.3 V | 48. AGC decoupling capacitor | 4.1 V |
| 23. G input | 3.3 V | 49. tuner take-over adjustment | 1.7 V |
| 24. B input | 3.3 V | 50. audio output | 3.5 V |
| 25. contrast control input | 1.2~3.6 V | 51. decoupling sound demodulator | 5.5 V |
| 26. saturation control input | 0.5~4.2 V | 52. decoupling bandgap supply | 6.6 V |

ICV1 TDA3653B



1. input	1.25 V
2. ground	0 V
3. input	1.3 V
4. quiescent	0 V
5. output	9.9 V
6. supply voltage	22.5 V
7. guard circuit	
8. flyback generator	
9. supply voltage	22.5 V

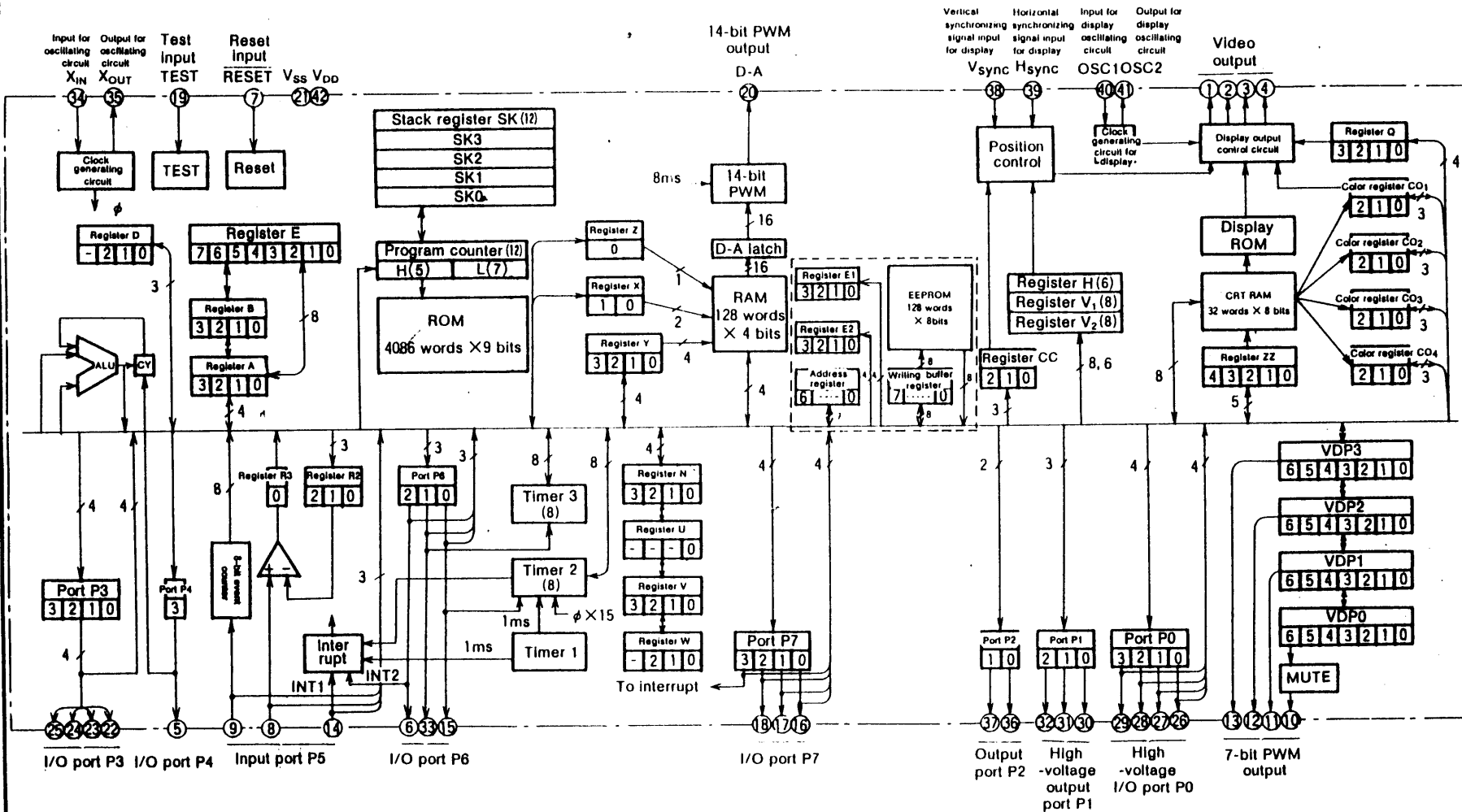
ICDL TDA4662



1. Vp2	5.1 V
2. n.c.	0 V
3. GND2	0 V
4. i.c.	0 V
5. SAND	1.2 V
6. n.c.	0 V
7. i.c.	0 V
8. i.c.	0 V
9. Vp1	5.1 V
10. GND1	0 V
11. Vo(R-Y)	3.1 V
12. Vo(B-Y)	3.1 V
13. n.c.	0 V
14. Vi(B-Y)	1.3 V
15. n.c.	0 V
16. Vi(R-Y)	1.3 V

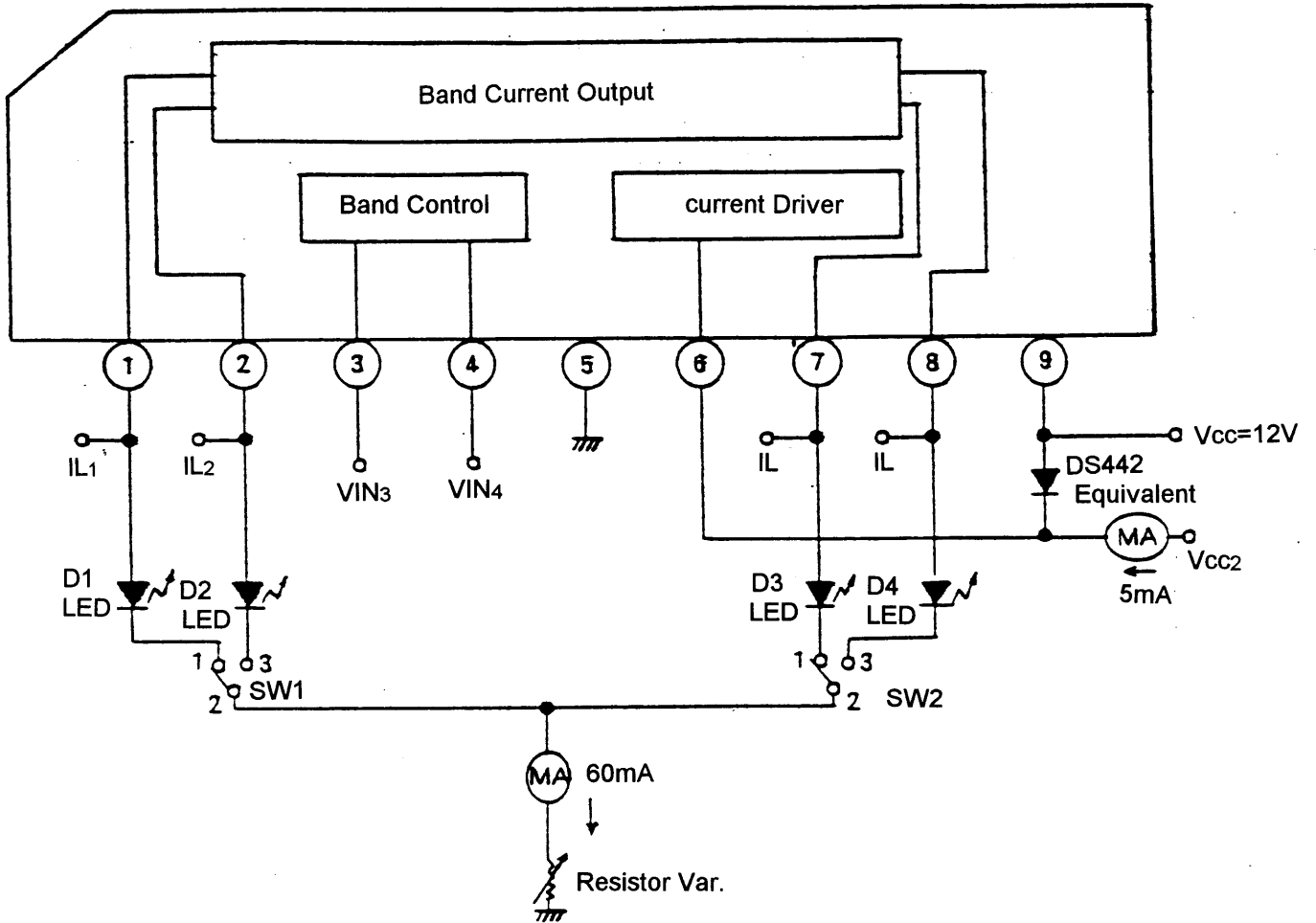
M34300M4-XXXSP BLOCK DIAGRAM

ICR1 M34300-012



Note 1. [] only for M34300N4-XXXSP.

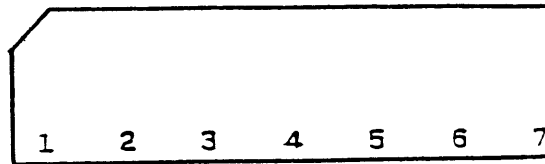
ICM2 LA7910



Characteristics / Switch	SW1	SW2	VIN3	VIN4	Test oint
V ₁ (sat)	1	Open	L	L	V ₉₋₁
I ₂₃ I ₇₉ I ₈ (leak)	Open	Open			I _{L23} I _{L79} I _{L8}
V ₂ (sat)	3	Open	H	L	V ₉₋₂
I ₁₉ I ₇₉ I ₈ (leak)	Open	Open			I _{L79} I _{L79} I _{L8}
V ₇ (sat)	Open	1	L	H	V ₉₋₇
I ₁₉ I ₂₉ I ₈ (leak)	Open	Open			I _{L19} I _{L29} I _{L8}
V ₈ (sat)	Open	3	H	H	V ₉₋₇
I ₁₉ I ₂₉ I ₇ (leak)	Open	Open			I _{L13} I _{L29} I _{L7}
V _{TH} (sat)	1	1	L	H-L	V ₄ (D1 LED ON)
V _{TL} (sat)	1	1	L	L-H	

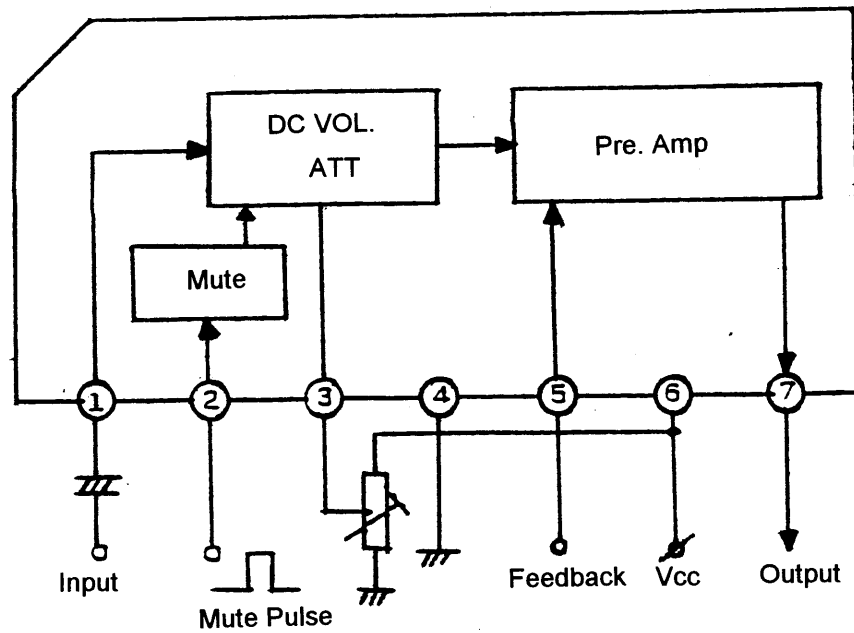
ICA1 AN5265

Pin Connection

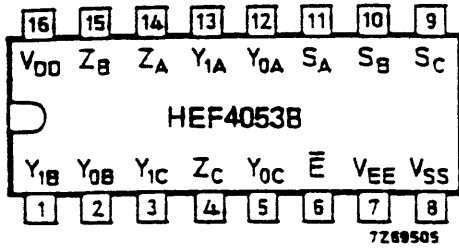


1. Sound Input
2. Mute Pulse Input
3. Sound Volume
4. Ground
5. Feedback Input
6. Power Source
7. Sound Output

Block Diagram



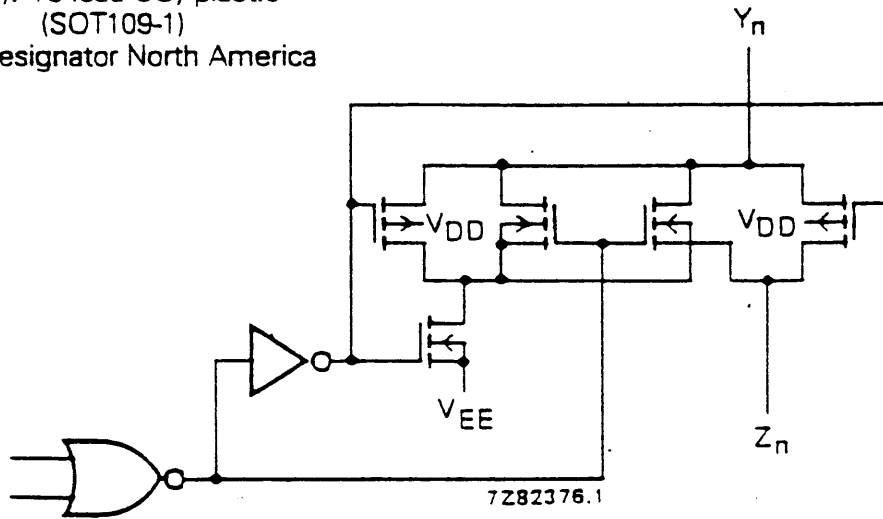
ICM1 / ICJ1 MC4053



PINING
 Y0A to Y0C independent inputs / outputs
 Y1A to Y1C independent inputs / outputs
 SA to SC select inputs
 E enable input (active LOW)
 ZA to Zc common inputs / outputs

Fig. 2 Pinning diagram.

- HEF4053BP(N): 16-lead DIL; plastic (SOT38-1)
- HEF4053BD(F): 16-lead DIL; ceramic (cerdip) (SOT74)
- HEF4053BT(D): 16-lead SO; plastic (SOT109-1)
- (): Package Designator North America



Schematic diagram (one switch).

PARTS LIST
MAIN PCB ASSEMBLY

MFR'S PART NO.	DESCRIPTION	SYMBOL NO.	Q'TY
PCB			
85-L1-1104C	MAIN PCB,	TVR-440A	1
SEMICONDUCTORS			
10-10-1017	IC M34300-012SP 42PIN	ICR1	1
10-11-1005	IC M6M 80011P 8PIN	ICR2	1
10-15-1011	IC M4053BP 16PIN	ICJ1, ICM1	2
10-20-0120	IC TDA4662 16PIN	ICDL	1
10-20-0607	IC TDA3653B	ICV1	1
10-20-0704	IC TDA8360 52PIN	IC01	1
10-20-1092	IC AN5265 9PIN	ICA1	1
10-20-1012	IC LA7910 9PIN	ICM2	1
12-01-1002	TRANSISTOR 5417F , NPN	QI01	1
12-04-0001N	TRANSISTOR SCR 2V5P4M	TD01	1
12-04-1002	TRANSISTOR D788CD/2SC2500	QH01	1
12-04-1018	TRANSISTOR D1680	QH02	1
12-05-5006	TRANSISTOR X'TAL 4.433619 MHz	XT01	1
12-05-5012	TRANSISTOR 4 MHz	XTR1	1
12-22-1003	TRANSISTOR 2SC945K	QR01	1
13-05-1003	DIODE 1N5400 3A	DP01	1
13-05-1011R	DIODE FR305 3A	DH07	1
13-05-1102	DIODE FR805G	DH06	1
13-23-1000	DIODE 1N4148 TAP.	DR01, DR02, DR03, DR04	4
13-23-1000	DIODE 1N4148 TAP.	DR05, DR06, DR07, DR08	4
13-23-1000	DIODE 1N4148 TAP.	DR13, DR15, DR16, DI01	4
13-23-1000	DIODE 1N4148 TAP.	DI04, DP03, DH01, DH02	4
13-23-1000	DIODE 1N4148 TAP.	DV02, DA01, DR17, DR18	4
13-23-1000	DIODE 1N4148 TAP.	DD03, DR10, DR11, DR12	4
13-23-1000	DIODE 1N4148 TAP.	DY02	1
13-25-1000	DIODE 1N4003(4001)	DV01	1
13-25-1008	DIODE PR1005 REC	DH04, DD01, DD02, DH05	4
13-26-1330	DIODE ZENER 33V	ZP04	1
13-26-1519	DIODE ZENER 5V1	ZP01, ZP02, ZD01	3
13-26-1689	DIODE ZENER 6V8	DJ01	1
13-26-2829	DIODE ZENER 8V2 1W	ZP03	1
CAPACITORS			
17-15-1120F	CERAMIC 12 PF 50V ± 5%	CI25	1
17-15-1221F	CERAMIC 220 PF 50V ± 5%	CR19	1
17-15-2417F	CERAMIC 470 PF 50V +80%-20%	P<->P, R<->R, CR18'	3
17-15-2502F	CERAMIC .005 UF 50V +80%-20%	CR30	1
17-15-4104F	CERAMIC .1 UF 50V +80%-20%	CP02, CP05, CI12, CJ01	4
17-15-4203F	CERAMIC .02 UF 50V +80%-20%	IC01#44<->GND, CP09	2
17-21-3471F	ELECTR. 470 UF 10V ± 20%	CJ06	1
17-22-3221F	ELECTR. 220 UF 16V ± 20%	CYA2	1
17-22-3222Y	ELECTR. 2200 UF 16V ± 20%	CH05	1
17-23-3100F	ELECTR. 100 UF 35V ± 20%	CA19, CJ03	2
17-23-3222M	ELECTR. 2200 UF 25V ± 20%	CP03	1
17-24-3101F	ELECTR. 100 UF 35V ± 20%	CV06	1
17-24-3102Y	ELECTR. 1000 UF 35V ± 20%	CV10, CH07	2
17-24-3222Y	ELECTR. 2200 UF 35V ± 20%	CV07	1

PARTS LIST
MAIN PCB ASSEMBLY

MFR'S PART NO.	DESCRIPTION	SYMBOL NO.	Q'TY
CAPACITORS			
17-25-32229F	ELECTR. 2.2 UF 50V ± 20%	CA01	1
17-25-3478	ELECTR. 0.47 UF 50V ± 20%	CI03	1
17-26-3220	ELECTR. 22 UF 160V ± 20%	CH09	1
17-28-3478F	ELECTR. 0.47 UF 350V ± 20%	CH06	1
17-35-2104C	POLYESTER 0.1 UF 50V ± 10%	CV09,CA21	2
17-37-2335F	DMPE 335J 250V ± 10%	CD03	1
17-68-1683F	DMPP 0.068 UF 400V ± 5%	CH01	1
17-85-2479Y	ELECTR. 4.7 UF 400V ± 10%	CH01	1
27-35-2103	POLYESTER 0.01 UF 50V ± 10%	CI25	1
27-35-2222	POLYESTER .0022 UF 50V ± 10%	CH13	1
27-35-2223	POLYESTER .022 UF 50V ± 10%	CA03	1
27-35-2332	POLYESTER .0033 UF 50V ± 10%	CA05	1
27-35-2683	POLYESTER .068 UF 50V ± 10%	CV11	1
27-15-1101	CERAMIC 100 PF 50V ± 5%	RAX1	1
27-15-1150	CERAMIC 15 PF 50V ± 5%	CR11	1
27-15-1151	CERAMIC 150 PF 50V ± 5%	CR14,CR15	2
27-15-1180	CERAMIC 18 PF 50V ± 5%	CX01	1
27-15-1220	CERAMIC 22 PF 50V ± 5%	CR08,CR09	2
27-15-1390	CERAMIC 39 PF 50V ± 5%	CR10	1
27-15-1680	CERAMIC 68 PF 50V ± 5%	CI28	1
27-15-2102	CERAMIC 0.001 UF 50V ± 10%	CR07	1
27-15-2202	CERAMIC 0.002 UF 50V ± 10%	CR22,CR23,CR24,CV12	4
27-15-2471	CERAMIC 470 PF 50V ± 10%	CV02	1
27-15-2561	CERAMIC 560 PF 50V ± 10%	CR03,CR04,CR05,CR06	4
27-15-2561	CERAMIC 560 PF 50V ± 10%	CR07	1
27-15-2681	CERAMIC 680 PF 50V ± 10%	CR22,CR23,CR24,CV12	4
27-15-4103	CERAMIC 0.01 UF 50V +80%-20%	CI15,CI17,CI19,CI24	4
27-15-4103	CERAMIC 0.01 UF 50V +80%-20%	CJ10,CI24	2
27-15-4104	CERAMIC 0.1 UF 50V +80%-20%	CI08,CI16,CI30,CR02	4
27-15-4104	CERAMIC 0.1 UF 50V +80%-20%	CY01,CP06,CY15,CY16	4
27-15-4104	CERAMIC 0.1 UF 50V +80%-20%	CX02,CY10,CY11,CY12	4
27-18-4152	CERAMIC .0015 UF 500V+80%-20%	CH04,CH08,CH10,CH15	4
27-21-3471	ELECTR. 470 UF 10V ± 20%	CD01	1
27-22-3101	ELECTR. 100 UF 16V ± 20%	CA17	1
27-22-3102	ELECTR. 1000 UF 16V ± 20%	CA23	1
27-22-3221	ELECTR. 220 UF 16V ± 20%	CP07,CA22	2
27-22-3470	ELECTR. 47 UF 16V ± 20%	CI09,CI11,CI18,CR01	4
27-22-3470	ELECTR. 47 UF 16V ± 20%	CR21,CP01,CP08,CJ02	4
27-22-3470	ELECTR. 47 UF 16V ± 20%	CJ05	1
27-23-3100	ELECTR. 10 UF 25V ± 20%	CI02,CI05,CI07,CI26	4
27-23-3100	ELECTR. 10 UF 25V ± 20%	CI29,CY04,CA02,CR20	4
27-23-3100	ELECTR. 10 UF 25V ± 20%	CJ04,CA20,CI31	3
27-25-3109	ELECTR. 1 UF 50V ± 20%	CH11,CA24	2
27-25-3229	ELECTR. 2.2 UF 50V ± 20%	CA01,CA12,CI14,CI33	4
27-25-3229	ELECTR. 2.2 UF 25V ± 20%	CJ07,CJ08,CH03,CA06	4
27-25-3478	ELECTR. 0.47 UF 50V ± 20%	CI01,CI04,CV05	3
27-25-3479	ELECTR. 4.7 UF 50V ± 20%	CR16,CR27,CR28,CR29	4
27-25-3479	ELECTR. 4.7 UF 50V ± 20%	CP04,CI06	2
27-35-2102	POLYESTER 0.001 UF 50V ± 10%	CV01,CI27	2
27-35-2103	POLYESTER 0.01 UF 50V ± 10%	CV04,CV11	2

PARTS LIST
MAIN PCB ASSEMBLY

MFR'S PART NO.	DESCRIPTION	SYMBOL NO.	Q'TY
CAPACITORS			
27-35-2222	POLYESTER 0.0022 UF 50V ± 10%	CH13	1
27-35-2223	POLYESTER 0.022 UF 50V ± 10%	CDL1, CDL2, CI13, CH14	4
27-35-2223	POLYESTER 0.022 UF 50V ± 10%	CH18, CA03	2
27-35-2332	POLYESTER 0.0033 UF 50V ± 10%	CA05	1
27-35-2333	POLYESTER 0.033 UF 50V ± 10%	CH02	1
27-35-2472	POLYESTER 0.0047 UF 50V ± 10%	CX06, CH12, CV03	3
27-35-2473	POLYESTER 0.047 UF 50V ± 10%	CY03, CY05	2
27-35-2682	POLYESTER 0.0068 UF 50V ± 10%	CA18	1
27-35-2683	POLYESTER 0.068 UF 50V ± 10%	CV11	1
COILS & IFTS			
18-03-3001	SFE 5.5MB	CFA1	1
18-03-3002	TPS 5.5MB	CFI1	1
18-03-7065B	IFT 38.9 MHz (AFC)	LI01	1
18-06-3001M	SAF 36.9 MZ80Z	SFI1	1
19-50-2229	CHOKE 2.2uH	LI07	1
19-50-2270	CHOKE 27uH	LJ01	1
19-50-2470	CHOKE 47uH	LR02	1
19-50-2479	CHOKE 4.7uH	LI08, LR01	2
19-50-2828	CHOKE 0.82uH	LI05, LI06, LH02	3
19-50-3101	CHOKE 100uH	LP01, LP02, LP03, LP04	4
19-50-3101	CHOKE 100uH	LP05	1
19-43-2150	CHOKE 15uH	LH01	1
JACKS			
23-01-0014A	FUSE HOLDER		1
23-03-3502	JACK MIC 3.5D	JK07	1
23-05-5001	DC JACK 5A	JK09	1
23-06-0004	RCA JACK (WH) AUDIO	JK03	1
23-06-0009	JACK RCA STRA		1
23-06-0010	RCA JACK (YW) VIDEO	JK02	1
23-06-0017	RCA JACK (BK)	JK05	1
23-06-0018	RCA JACK (YW)	JK04	1
SWITCHES			
22-12-0115	SWITCH 1P2T	SWP1	1
22-81-0103	TACK SWITCH	SWK0, SWK1, SWK2, SWK3	4
22-81-0103	TACK SWITCH	SWK4, SWK5, SWK6, SWK7	4
22-81-0103	TACK SWITCH	SWK8, SWK9	2
VARIABLE RESISTORS			
21-82-1031	SEMI VR 10KB 8DH 3P	VRI1, VRH1	2
21-82-3011	SEMI VR 300B 8DH 3P	VRV1	1
21-72-5021	SEMI VR 5KB 8DH 3P	VRV2	1

PARTS LIST
MAIN PCB ASSEMBLY

MFR'S PART NO.	DESCRIPTION	SYMBOL NO.	Q'TY
RESISTORS			
16-8L-1101	RESISTOR 100 OHM 1/4W	RR13,RR14,RR15,RR17	4
16-8L-1101	RESISTOR 100 OHM 1/4W	RR18,RI15,RI16,RH03	4
16-8L-1101	RESISTOR 100 OHM 1/4W	RV09,RJ07	2
16-8L-1102	RESISTOR 1 KOHM 1/4W	RI13,RI23,RI25,RI26	4
16-8L-1102	RESISTOR 1 KOHM 1/4W	RI36,RD04,RA10,RA01	4
16-8L-1102	RESISTOR 1 KOHM 1/4W	RA05,RA19,RY18,RH09	4
16-8L-1102	RESISTOR 1 KOHM 1/4W	RH13,RI40,RP03	3
16-8L-1102	RESISTOR 1 KOHM 1/4W	J086,J087,RA06	3
16-8L-1103	RESISTOR 10 KOHM 1/4W	RR27,RR28,RR32,RR33	4
16-8L-1103	RESISTOR 10 KOHM 1/4W	RR34,RR35,RR56,RR57	4
16-8L-1103	RESISTOR 10 KOHM 1/4W	RR58,RR59,RV03,RV05	4
16-8L-1103	RESISTOR 10 KOHM 1/4W	RV11,RI09,RJ05	3
16-8L-1103	RESISTOR 10 KOHM 1/4W	RJ06,RC03,RC04,RA20	4
16-8L-1103	RESISTOR 10 KOHM 1/4W	RA15,JI09	2
16-8L-1104	RESISTOR 100 KOHM 1/4W	RR31,RR41,RR42,RX08	4
16-8L-1104	RESISTOR 100 KOHM 1/4W	RV12,	1
16-8L-1104	RESISTOR 100 KOHM 1/4W	TUNER#BM7<->#AFC6	1
16-8L-1105	RESISTOR 1M OHM 1/4W	RJ09	1
16-8L-1121	RESISTOR 120 OHM 1/4W	RI41	1
16-8L-1122	RESISTOR 1K2 OHM 1/4W	RR19	1
16-8L-1123	RESISTOR 12 KOHM 1/4W	RI04,RH11,RR55	3
16-8L-1124	RESISTOR 120 KOHM 1/4W	RR52	1
16-8L-1151	RESISTOR 150 OHM 1/4W	RI38	1
16-8L-1153	RESISTOR 15 KOHM 1/4W	RR38,RR39,RR40,RD01	4
16-8L-1181	RESISTOR 180 OHM 1/4W	RI37	1
16-8L-1182	RESISTOR 1K8 OHM 1/4W	RC01	1
16-8L-1221	RESISTOR 220 OHM 1/4W	RP06,RA18'	2
16-8L-1222	RESISTOR 2K2 OHM 1/4W	RA02,RD02,RI14,RI17	4
16-8L-1222	RESISTOR 2K2 OHM 1/4W	RI39	1
16-8L-1223	RESISTOR 22 OHM 1/4W	RR02,RR03,RR04,RR05	4
16-8L-1223	RESISTOR 22 KOHM 1/4W	RR06,RR07,RR08,RR09	4
16-8L-1223	RESISTOR 22 KOHM 1/4W	RR10,RR11,RR12,RC06	4
16-8L-1223	RESISTOR 22 KOHM 1/4W	RC07,RV13,RR46,RH10	4
16-8L-1224	RESISTOR 220 KOHM 1/4W	RI11	1
16-8L-1229	RESISTOR 2E2 OHM 1/4W	RH04,RH14,RA21	3
16-8L-1272	RESISTOR 2K7 OHM 1/4W	RP02,RJ10	2
16-8L-1273	RESISTOR 27 KOHM 1/4W	RI22,RDL1,RR48,RJ11	4
16-8L-1331	RESISTOR 330 OHM 1/4W	RY07,RY08,RY09,RV10	4
16-8L-1332	RESISTOR 3K3 OHM 1/4W	RY04,RY05,RY06,RI07	4
16-8L-1333	RESISTOR 33 KOHM 1/4W	RR22,RR25,RR45,RR53	4
16-8L-1333	RESISTOR 33 KOHM 1/4W	RI08,RV21	2
16-8L-1334	RESISTOR 330 KOHM 1/4W	RV16,RH08	2
16-8L-1335	RESISTOR 3M3 OHM 1/4W	RV14	1
16-8L-1392	RESISTOR 3K9 OHM 1/4W	RH05	1
16-8L-1470	RESISTOR 47 OHM 1/4W	RI42,RJ01,RH02	3
16-8L-1471	RESISTOR 470 OHM 1/4W	RV02,RR16	2
16-8L-1472	RESISTOR 4K7 OHM 1/4W	RR01,RR26,RR29,RI01	4
16-8L-1472	RESISTOR 4K7 OHM 1/4W	RI02,RI03,RI27,RJ08	3
16-8L-1473	RESISTOR 47 KOHM 1/4W	RR01,RR26,RR29,RI01	4
16-8L-1473	RESISTOR 47 KOHM 1/4W	RI10	1

PARTS LIST
MAIN PCB ASSEMBLY

MFR'S PART NO.	DESCRIPTION	SYMBOL NO.	Q'TY
RESISTORS			
16-8L-1474	RESISTOR 470 KOHM 1/4W	J036	1
16-8L-1560	RESISTOR 56 OHM 1/4W	RV19	1
16-8L-1561	RESISTOR 560 OHM 1/4W	RI18	1
16-8L-1562	RESISTOR 5K6 OHM 1/4W	RY01,RY03,RI12,RY21	4
16-8L-1563	RESISTOR 56 KOHM 1/4W	RY12	1
16-8L-1564	RESISTOR 560 KOHM 1/4W	RR30	1
16-8L-1680	RESISTOR 68 OHM 1/4W	RJ12	1
16-8L-1681	RESISTOR 680 OHM 1/4W	RR21,RR24	2
16-8L-1682	RESISTOR 6K8 OHM 1/4W	RI28,RI24	2
16-8L-1683	RESISTOR 68 KOHM 1/4W	RR50	1
16-8L-1750	RESISTOR 75 OHM 1/4W	RY15,RY16,RY17,RY19	4
16-8L-1750	RESISTOR 75 OHM 1/4W	RY20	1
16-8L-1820	RESISTOR 82 OHM 1/4W	RI06,RI19,RX1	3
16-8L-1821	RESISTOR 820 OHM 1/4W	RV08	1
16-8L-1822	RESISTOR 8K2 OHM 1/4W	RR23	1
16-8L-1823	RESISTOR 82 KOHM 1/4W	RR47	1
16-8L-1824	RESISTOR 820 KOHM 1/4W	RH12	1
16-C1-1181	RESISTOR 180 OHM 1/2W	RP01	1
16-C2-1229	RESISTOR 2E2 OHM 1/4W	RH01,RV07	2
16-D1-1479	RESISTOR 4.7 OHM 1/2W	J160	1
16-D6-1223	RESISTOR 22 KOHM 1/2W	RD03	1
16-M7-1822	RESISTOR 8K2 OHM 2W	RP05	1
16-MI-1120	RESISTOR 12 OHM 2W	RP04	1
16-N7-1270	RESISTOR 27 OHM 2W	RH06	1
16-N7-1479	RESISTOR 4.7 OHM 2W	RA22	1
MISCELLANEOUS			
14-01-0005A	IR SENSOR	ICR3	1
15-06-0250	TUNER 3A-291	TU01	1
24-10-0262	RF CABLE	RF CABLE	1
24-21-2001B	PIN 2P	K	1
24-21-4001B	PIN 4P	HS01,HS02	2
24-41-2001	WAFER 2P 2.3D	DEGAUSSING WAFER	1
24-41-4003	4 PIN WAFER 1.57D	D.Y	1
24-51-1001	PIN 1P 2.36D	RA22,RP05	2
24-56-0201B	WAFER 2P 2.0MM	HR01	1
24-L1-1005	HOUSING 1P	B+	1
24-SS-L101	HOUSING 7P		1
24-SS-R102	HOUSING 9P	HS08	1
24-SV-2020	WAFER 2P (V)B2B-EH-A	HS06	1
24-SV-4020	WAFER 2P (V)B2P-VH	HS09	1

PARTS LIST
MAIN PCB ASSEMBLY

MFR'S PART NO.	DESCRIPTION	SYMBOL NO.	Q'TY
MISCELLANEOUS			
25-03-6321	FUSE 6A3	FS-2	1
29-32-5001	LED 5D RED	LDP1	1
39-16-0001	H-TRANSFORMER	TH01	1
43-74-1402F	FLYBACK TRANSFORMER 14"CTV	FBT	1
58-21-1071	SILICON PLATE	DH06	1
65-01-1202	RIVET 2Dx4	RH06	2
69-01-3008	SCREW ISO 3x8 RD+	DH06	1
69-02-3006	SCREW ISO 3x6 RD+ BK.	ICV1	1
69-21-3008	SCREW TP 3x8 RD+	REG. ASS'Y	3
69-42-3010	SCREW MTP 3x10 RD+	QH02	1
70-01-3056	SCREW ISO M3 NUT	DH06	1
87-22-1301	ANT JACK HOLDER	ANT JACK	1
87-L1-2001A	HEAT SINK	DH06, QH02	2
87-R1-0101	FUSE BRACKET		1
87-R1-0401A	VER HEAT SINK	ICV1	1
87-R1-0601	IC SHIELD	IC01	1
88-01-0803	LED BKT 5mm	LDP1	1
88-01-0853	TR HOLDER	DH06	1
88-B3-0701	LED HOLDER	LDP1	1
	END OF THE MAIN PCB ASS'Y		

CRT SOCKET PCB ASSEMBLY

MFR'S PART NO.	DESCRIPTION	SYMBOL NO.	Q'TY
PCB			
85-R1-9001A	CRT SOCKET PCB		1
RESISTORS			
16-D1-1183	RESISTOR 18 KOHM 1/4W	RY33,RY34,RY36	3
16-8L-1123	RESISTOR 12 KOHM 1/4W	RY28	1
16-8L-1151	RESISTOR 150 OHM 1/8W	RY32	1
16-8L-1222	RESISTOR 2K2 OHM 1/8W	RY25,RY26,RY29,RY30	4
16-8L-1222	RESISTOR 2K2 OHM 1/8W	RY31	1
16-8L-1331	RESISTOR 330 OHM 1/8W	RY23,RY24,RY35	3
16-8L-1562	RESISTOR 5K6 OHM 1/8W	RY27	1
MISCELLANEOUS			
12-23-1047	TRANSISTOR C2310/2229, NPN	QY01,QY02,QY03,QY04	4
12-23-1047	TRANSISTOR C2310/2229, NPN	QY05,QY06	2
17-15-1331F	CERAMIC CAP 330 PF 50V	CY22,CY24	2
17-15-2471F	CERAMIC CAP 470 PF 50V	CY23	1
17-1A-4103	CERAMIC CAP 103 1KV	CY21	1
17-23-3100F	CERAMIC CAP 10 UF 25V	CY25	1
19-50-3101	CHOKE 100 UH	LP06	1
21-82-3012	SEMT VR 300B 8DV 3P	VRY1,VRY3	2
21-82-5022	SEMT VR 5KB 8DV	VRY4,VRY5	2
23-08-0905	CRT SOCKET 14"		1
24-51-1001	PIN 1P 2.360		1
24-SV-1100	WAFER 10P B10B-PH-K-S		1
	END OF THE CRT SOCKET PCB ASS'Y		1

PARTS LIST
SWITCHING POWER SUPPLY ASSEMBLY

MFR'S PART NO.	DESCRIPTION	SYMBOL NO.	Q'TY
PCB			
85-L1-8004	SWITCHING POWER PCB		1
SEMICONDUCTORS			
12-04-1025B	TRANSISTOR 2SD2498	QP01	1
12-22-1003	TRANSISTOR 2SC945K	QP02, QP04	2
12-23-2031	TRANSISTOR 8550	QP03	1
13-05-1036A	DIODE BRIDGE RS 205L	DP01	1
13-05-1050	DIODE UFR BYQ28X-200	DP09	1
13-25-1008	DIODE PR1005 REC	DP05, DP06, DP12	3
13-26-1829	DIODE ZENER 8V2	DP08	1
13-26-1909	DIODE ZENER 9V	DP07	1
CAPACITORS			
17-15-4104F	CERAMIC .1 UF 50V +80%-20%	CP18	1
17-1A-4103	CERAMIC .1 UF 50V +80%-20%	CP04, CP05, CP06, CP07	4
17-23-0682	ELECTR. 6800 UF 25V	CP12	1
17-28-0101	ELECTR. 100 UF 400V	CP09	1
17-35-2333	POLYESTER .033 UF 50V ± 10%	CP19	1
17-6A-2222	MPPC 222 UF 1KV ± 10%	CP10	1
17-89-0224C	X-CAP .22 UF 250V	CP01	1
17-89-2332	CERAMIC .0033 UF 250V ± 10%	CP21, CP21-1	2
17-89-2474C	X-CAP .47 UF 250V ± 10%	CP02	1
27-35-2472	POLYESTER .0047 UF 50V ± 10%	CP15	1
27-L5-0101	ELECTR. 100 UF 50V	CP20, CP22	2
RESISTORS			
16-8L-1103	RESISTOR 10K OHM 1/4W	RP22	1
16-8L-1222	RESISTOR 2K2 OHM 1/4W	RP26	1
16-8L-1331	RESISTOR 330 OHM 1/4W	RP20	1
16-8L-1472	RESISTOR 4K7 OHM 1/4W	RP19	1
16-8L-1682	RESISTOR 6K8 OHM 1/4W	RP21, RP25	2
16-8L-1822	RESISTOR 8K2 OHM 1/4W	RP23	1
16-40-1390	RESISTOR 39 OHM 6W	RP06	1
16-59-1409	RESISTOR 4 OHM 5W	RP01	1
16-C1-1122	RESISTOR 1K2 OHM 1/2W	RR24	1
16-D1-1565	RESISTOR 5M6 OHM 1/2W	RP30, RP31	2
16-M1-1154	RESISTOR 150K OHM 1/2W	RP02	1
16-M1-1184	RESISTOR 180K OHM 1/2W	RP04, RP05	2
16-M6-1120	RESISTOR 12 OHM 1W	RP18	1
16-M6-1338	RESISTOR 0.33 OHM 1W	RP28	1
16-M7-1229	RESISTOR 2.2 OHM 2W	RP03	1
16-M7-1270	RESISTOR 27 OHM 2W	RP27	1

PARTS LIST
SWITCHING POWER SUPPLY ASSEMBLY

MFR'S PART NO.	DESCRIPTION	SYMBOL NO.	Q'TY
MISCELLANEOUS			
19-43-2900	CHOKE 90uH 1A	LP02,LP03	2
19-46-1473	LINE FILTER 47MH	TP01	1
MISCELLANEOUS			
21-82-1021	SEMI VR 1KB 8DH 3P (MTL)	SVR1	1
23-01-0004	FUSE CLIP		2
24-41-2001	WAFER 2P 2.3D	HS02	1
24-51-1001	PIN 1P 2.36D		2
24-K2-7150	HOUSING 2P 500mm		1
25-03-3022	FUSE 3A 250V	FS-1	1
39-40-0069B	TRANSFORMER ER-42	TP2	1
58-21-1089	FIBER		1
64-01-6020	SWITCHING RUBBER		1
65-01-1202	RIVET 2Dx4	L,N	2
69-01-3008	SCREW ISO 3x8 RD+	DP09	1
69-03-3012	SCREW 3x12 RD+	QP01	1
69-03-2505	SCREW MTP 2.5x5	DP09	1
70-01-3056	NUT M3x56		1
87-78-0334A	HEAT SINK	DP09	1
87-R1-0501	HEAT SINK POWER END OF THE SW. POWER PCB ASS'Y		1

PARTS LIST
FAN PCB ASSEMBLY

MFR'S PART NO.	DESCRIPTION	SYMBOL NO.	Q'TY
PCB			
85-L1-9002A	FAN PCB		1
MISCELLANEOUS			
13-25-1000	DIODE 1N4003(4001)	DF01	1
17-22-3471F	ELECTR. 470 UF 16V	CF01	1
19-40-2220	CHOKE EL0606SKI-220K	LF01	1
24-SV-1020	WAFER 2P B2B-PH-K-S		1
65-01-1202	RIVET 2Dx4		2
	END OF THE FAN PCB ASS'Y		2

PARTS LIST
PCB POWER REGULATOR ASSEMBLY

(AC/DC)

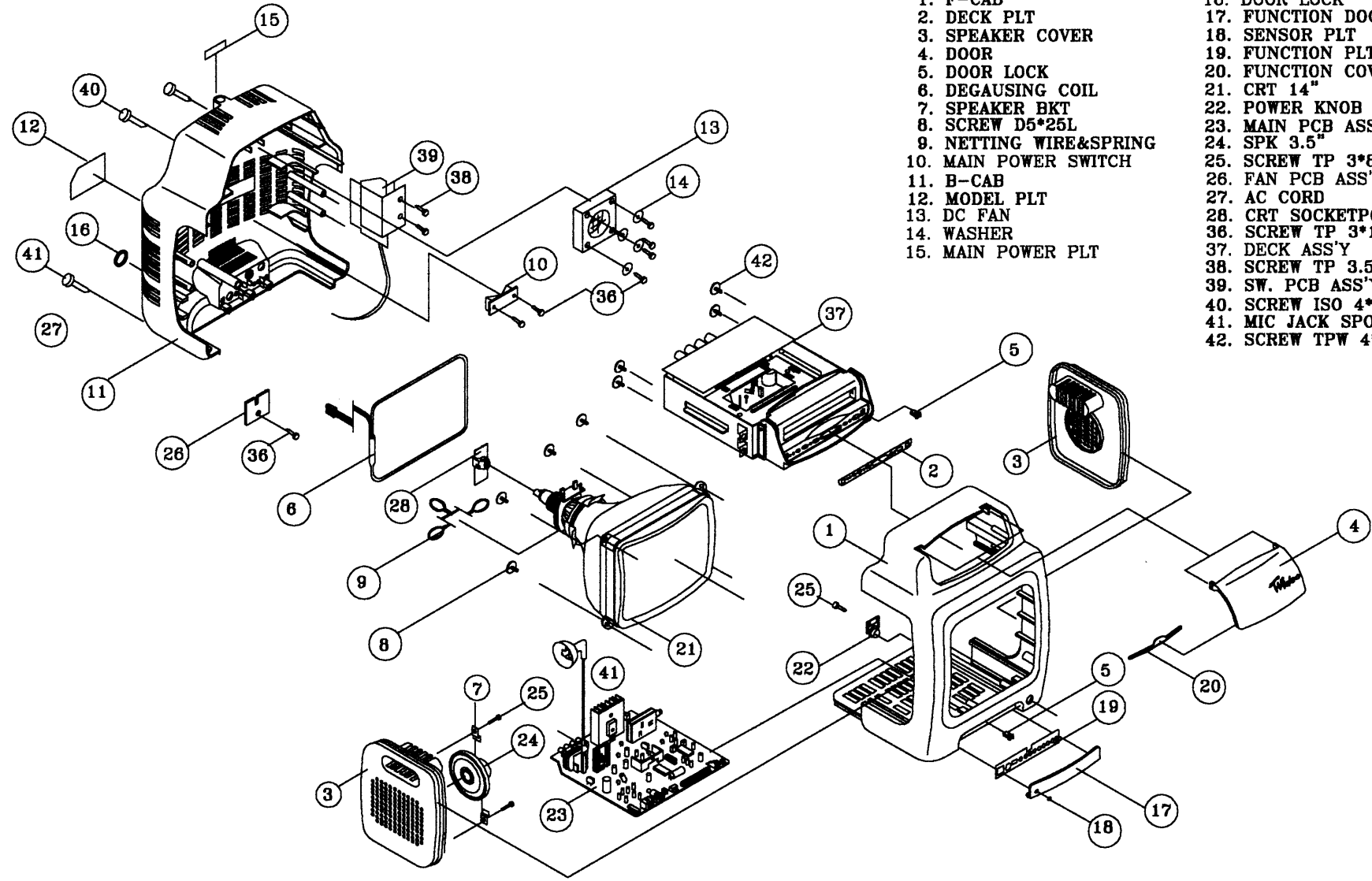
MFR'S PART NO.	DESCRIPTION	SYMBOL NO.	Q'TY
PCB			
85-L1-8003	PCB POWER REGULATOR		1
MISCELLANEOUS			
12-03-2040	TRANSISTOR B1155 PNP	QP01	1
12-22-1003	TRANSISTOR 2SC945K	QP03	1
12-23-2031	TRANSISTOR 8550	QP02	1
13-23-1000	DIODE IN4148	DP04, DP05	2
13-26-1519	DIODE ZENER 5V1	ZP05	1
16-8L-1102	RESISTOR 1 KOHM 1/4W	RP11, RP12	2
16-8L-1103	RESISTOR 10 KOHM 1/4W	RP08	1
16-8L-1223	RESISTOR 22 KOHM 1/4W	RP09	1
16-C2-1330	RESISTOR 33 OHM 1/4W	RP07, RP10	2
17-15-1101F	CERAMIC CAP 100 PF 50V	CP11	1
17-22-3102Y	ELECTR. 1000 UF 16V	CP10	1
21-82-2021	SEMI VR 2KB 8DH 3P	VRP1	1
24-A4-4125	HOUSING 4P		1
24-SV-1020	WAFER 2P B2B-PH-K-S		1
69-02-3012	SCREW ISO 3x12 RD+ BK.		3
69-21-3006	SCREW TP 3x6 RD+		3
70-01-3056	ISO M3 NUT		1
85-R1-8002A	REG PCB		1
87-L1-1001A	REG HEAT SINK	QP01	1
	END OF THE REG. PCB ASS'Y		

PARTS LIST
FINAL ASSEMBLY

MFR'S PART NO.	DESCRIPTION	Q'TY
MISCELLANEOUS		
11-01-0001S	CPM(CY) 14" (SAMSUNG)	1
11-01-0002	RUBBER WEDGE 14"	1
11-47-1407BS	CRT 14" CTV	1
19-70-0043	DEGAUSSING COIL	1
22-72-0103	AC POWER SWITCH	1
23-09-0002	AC CABLE CLIP	1
24-B2-1560	HOUSING 2P	1
24-L2-2525	HOUSING 2P	1
34-L1-5010A	DECK ASS'Y VCR-440B	1
36-21-1200	DC FAN	1
37-35-1594	SPEAKER 3.516	1
38-00-0200	AC CABLE 200mm	1
38-40-0202	AC CORD SAA W/O SOCKET	1
38-93-0230	CAR CORD 7A	1
42-L1-0006	REMOTE CONTROL VS+TRACKING	1
59-02-1034	JACK SPONGE	4
59-05-0001	SPACER	2
59-06-0013	PROTECTION FOAM SHEET	2
64-01-6013	CRT RUBBER	2
METAL PARTS		
69-03-4016	SCREW ISO 4x16, F&B CABINET	2
69-21-3006	SCREW TAPPING 3x6 RD+, SPEAKER	2
69-21-3008	SCREW TAPPING 3x8 RD+, POWER SW.	2
69-21-3512	SCREW TAPPING 3.5x12 RD+, SMPS BKT.	2
69-21-4016	SCREW TAPPING 4x16 RD+, F&B CABx4, FBTx1	5
69-37-3010	SCREW TAPPING 3x10 RD+, PAN+ BK.	1
69-42-2606	SCREW MTP 2.6x6 RD+, COVER	1
69-70-3008	SCREW TPW 3x8 RD+, POWER KNOB	1
69-70-4012	SCREW TPW 4x12 RD+, DECK BKT.	4
69-78-5052	SCREW TP 5x25 RD+, DECK BKT.	4
87-20-1001	SPEAKER BKT.	2
PLASTIC PARTS		
88-01-0602	DOOR LOCK	2
88-L1-1101	POWER KNOB	1
88-L1-0120	FRONT CABINET GM	1
88-L1-0220A	BACK CABINET GM	1
88-L1-0301	SPEAKER COVER	2
88-L1-0431	DOOR (TEAC)	1
88-L1-1201	FUNCTION DOOR	1
APPEARANCES		
50-L1-1122B	MODEL PLATE	1
51-19-5017	REMOTE CONTROL PLATE VS+TRACKING	1
51-L1-0120	FUNCTION PLATE	1
51-L1-0301	SENSOR PLATE	1
90-05-3004	LOGO LABEL	1
90-L1-0101	MAIN POWER LABEL	1
90-L1-0122B	CRT LABEL	1
90-L1-1122C	TOTAL CARE 440A	1
90-L1-2122	SERIAL NO. BAR CODE	1
90-L1-3122	FUSE LABEL 3A 250V	1
90-L1-4122A	PRODUCT BAR CODE	1
91-L1-1122D	INSTRUCTION BOOK 440A (TEAC)	1
91-L1-2033	WARRANT CARD 440A	1
94-L1-1033A	CARTON 440A	1
96-L1-0101	POLYFORM TVR-440	1
97-04-1024A	HMPE BAG 10x24mm	1
97-25-8080	LDPE BAG 80x80mm	1

EXPLODED VIEW

- | | |
|------------------------|-------------------------|
| 1. F-CAB | 16. DOOR LOCK |
| 2. DECK PLT | 17. FUNCTION DOOR |
| 3. SPEAKER COVER | 18. SENSOR PLT |
| 4. DOOR | 19. FUNCTION PLT |
| 5. DOOR LOCK | 20. FUNCTION COVER |
| 6. DEGAUSING COIL | 21. CRT 14" |
| 7. SPEAKER BKT | 22. POWER KNOB |
| 8. SCREW D5*25L | 23. MAIN PCB ASS'Y |
| 9. NETTING WIRE&SPRING | 24. SPK 3.5" |
| 10. MAIN POWER SWITCH | 25. SCREW TP 3*8RD+ |
| 11. B-CAB | 26. FAN PCB ASS'Y |
| 12. MODEL PLT | 27. AC CORD |
| 13. DC FAN | 28. CRT SOCKETPCB ASS'Y |
| 14. WASHER | 36. SCREW TP 3*10RD+ |
| 15. MAIN POWER PLT | 37. DECK ASS'Y |
| | 38. SCREW TP 3.5*12RD+ |
| | 39. SW. PCB ASS'Y |
| | 40. SCREW ISO 4*10 |
| | 41. MIC JACK SPONGE |
| | 42. SCREW TPW 4*12RD+ |

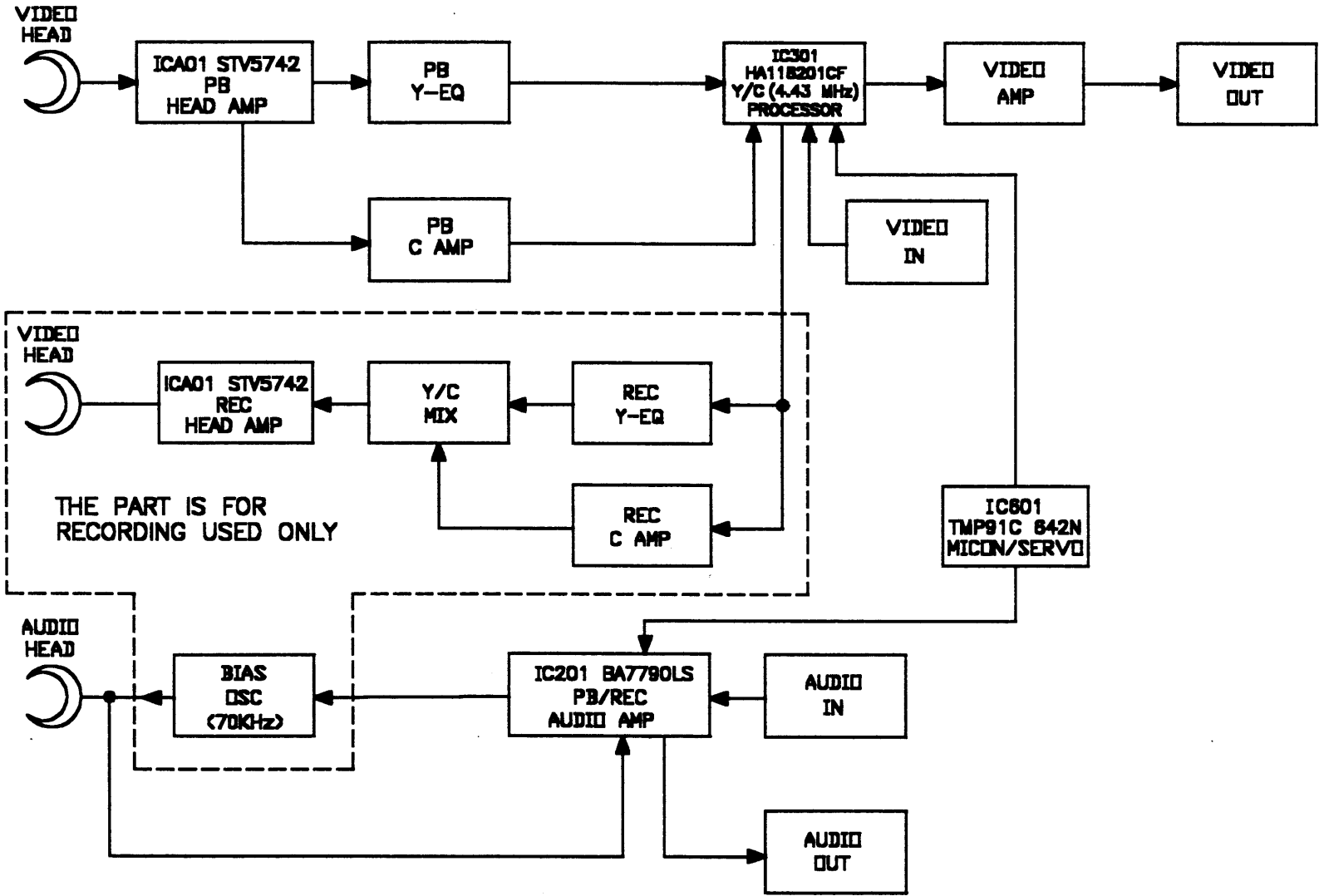


CONTENTS

SECTION 2-- VCR PARTS

VCP BLOCK DIAGRAM.....	34
VCP SPECIFICATIONS.....	35
WIRING DIAGRAM.....	36
ELECTRICAL ADJUSTMENT.....	37
MECHANICAL ADJUSTMENT.....	39
TROUBLE SHOOTING FLOW CHART.....	43
WAVEFORMS ON VIDEO CIRCUIT.....	58
μ -COM PORT.....	61
ASSEMBLING DIAGRAM & CHECK FOR THE MAJOR PARTS.....	63
EXPLODE VIEW AND PARTS LIST.....	66
VCR PRINTED CIRCUIT BOARDS.....	71
VCR SCHEMATIC DIAGRAMS.....	73

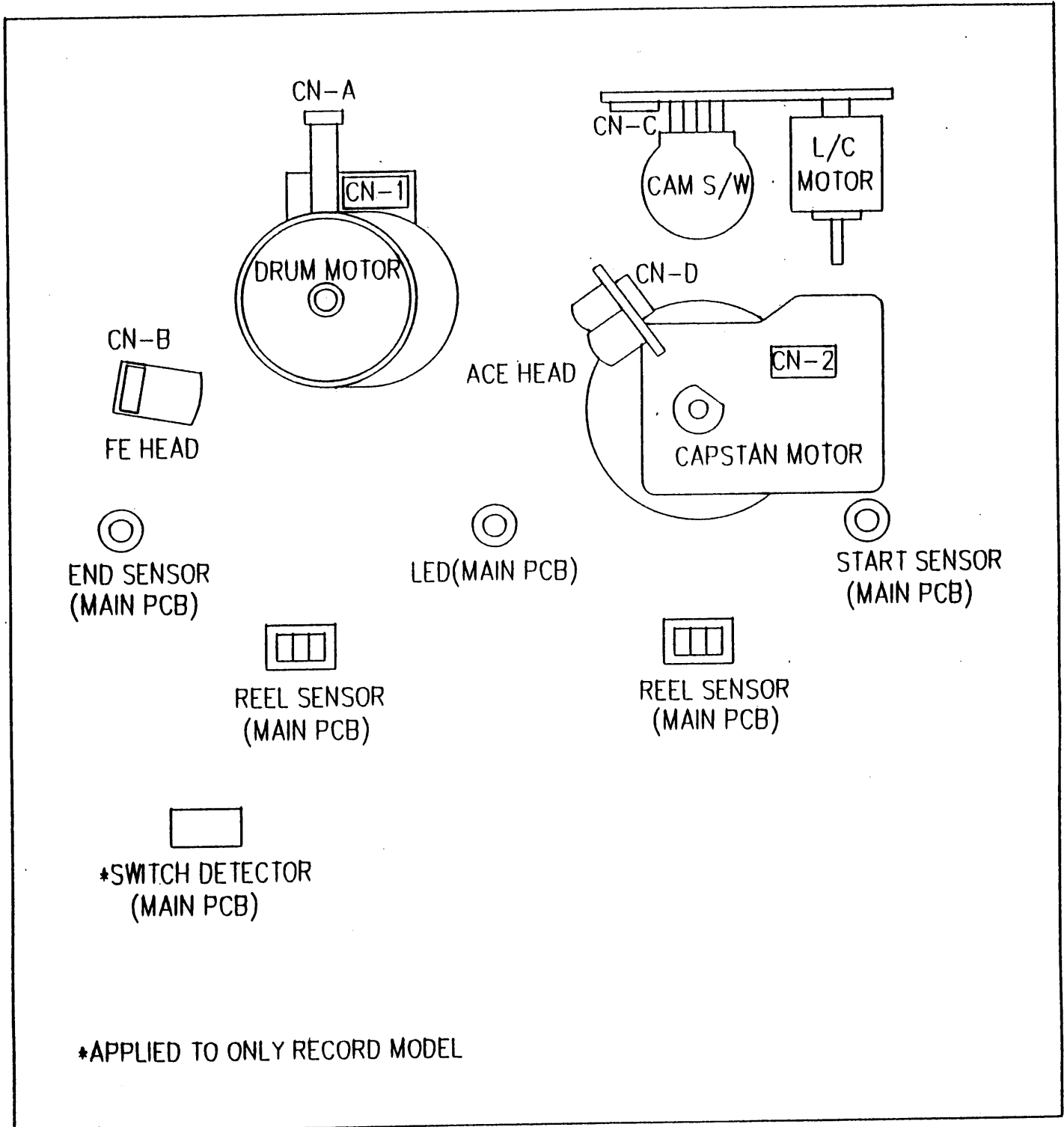
BLOCK DIAGRAM



SPECIFICATIONS

GENERAL		AUDIO	
Power requirement	DC 12V	Input	-8 dBs, (CENELEC standard) more than 47 k-ohms, unbalanced
Power consumption	Typical 10W	Output	-6 dBs, (CENELEC standard) less than 1 k-ohm, unbalanced (100 k-ohms, load)
Temperature	5 C~35 C (Operating) -20 C~60 C (Storage Temperature)	Frequency range	100 Hz to 8,000 Hz
Operating position	Horizontal only	Signal to noise ratio	38dB (More than)
Dimensions (WxHxD)	250x95x255(mm)	Audio Distortion	Less than 3% (SP)
Weight	Approx. 3.3 kg		
Format	VHS standard		
Tape width	12.65 mm		
Tape speed	(SP):23.39 mm/sec		
Maximum recording time with full-size cassette	(SP):240 min. with E-240 video cassette		
Maximum recording time with full-size cassette	(SP):45 min. with E-45 cassette	ACCESSORIES	
		Provided Accessories	Remote control unit A/V Cable, Battery
VIDEO			
Signal system	PAL color and CCIR monochrome signals, 625 lines/50 fields position.		
Recording system	Rotary two-head helical scan with a slant double- azimuth combination video head.		
Input	1.0 Vp-p, 75 ohms, unbalanced.		
Output	1.0 Vp-p, 75 ohms, unbalanced.		
Signal to noise ratio	45 dB (Rhode & Schwas noise meter) with NETTETE IMAGE control at center position.		
Horizontal resolution	240 lines with NETTETE IMAGE control at center position.		
● Design and specifications can be subjected to change without notice.			

SECTION 2. WIRING DIAGRAM



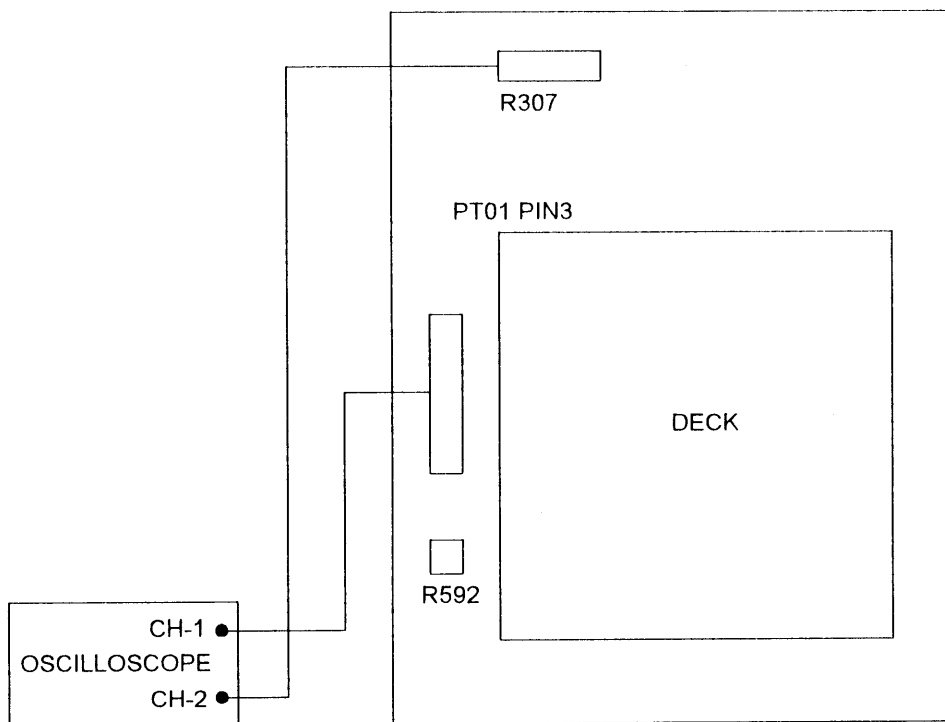
SECTION 3. ELECTRICAL ADJUSTMENT

2-1. SERVO CIRCUIT ADJUSTMENT METHOD

1. VIDEO HEAD SWITCHING POSITION

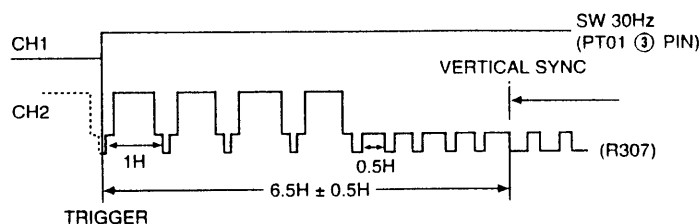
Adjustment Parts	Checking Point	Measuring Equipment	Mode	Test Tape
RV592	R307 PT01 PIN 3	Oscilloscope	PLAY	DP-2

● Connection Method



● Adjustment Procedure

- 1) Play back the test tape. (Color Bar DP-2)
- 2) Set the Oscilloscope in the chop mode connect the CH1 to SW pulse (PT01 PIN), the CH2 to VIDEO with CH1 triggering.
- 3) Adjust R592 for the positive trigger until $6.5 \pm 0.5H$ cycles before the vertical SYNC pulse.

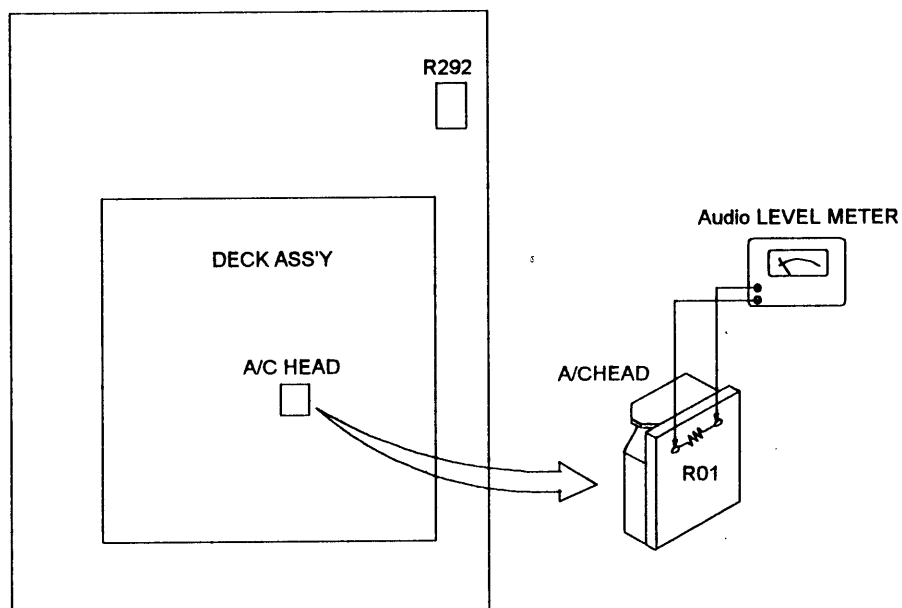


2-2. AUDIO CIRCUIT ADJUSTMENT METHOD

1. AUDIO RECORD BIAS

Adjustment Parts	Checking Point	Measuring Equipment	Mode	Test Tape
R292	A/V Head PCB R01	Audio level meter	Rec	None signal

● Connection Method



● Adjustment Procedure

- 1) Set the power on mode.
- 2) Set the input to open mode.
- 3) Connect the Audio level meter to both R01.
- 4) After inserting a blank tape, record in SP mode.
- 5) Adjust R292 to obtain 3.0 mVrms.

SECTION 4. MECHANICAL ADJUSTMENT

4-1. MECHANICAL ADJUSTMENT (See Fig. 4-1~4-5)

When operational problems occur or the mechanism reassembles, be sure to confirm the following INSTRUCTIONS.

- a). Make sure that the DATUM HOLE of the CAM GEAR is aligned with the DATUM HOLD in the MAINBASE in the EJECT mode as shown in Fig. 4-1.

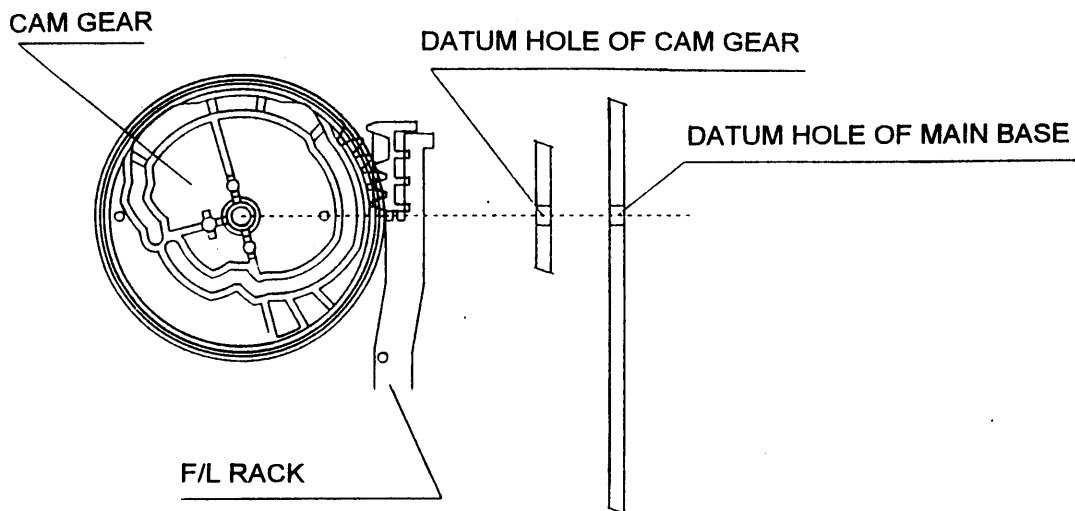


Fig. 4-1 DATUM POSITION OF F/L RACK & CAM GEAR

- b). Make sure that the ending part "A" of the RELAY LEVER assembled in the CONNECT PLATE is fully rotated up to the left side of "B" of the MAINBASE and is attached to the boss "C" of the MAINBASE as shown in Fig. 4-2.

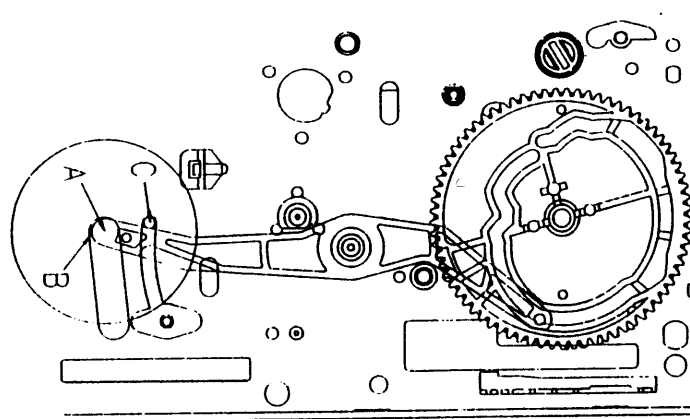


Fig. 4-2 DATUM POSITION OF RELAY LEVER & CAM GEAR

- c). When reassembling the L/C BRACKET TOTAL ASSEMBLY on the MAINBASE, make sure that the two triangular marks of CAM SWITCH are aligned with each other as shown in Fig. 4-3.

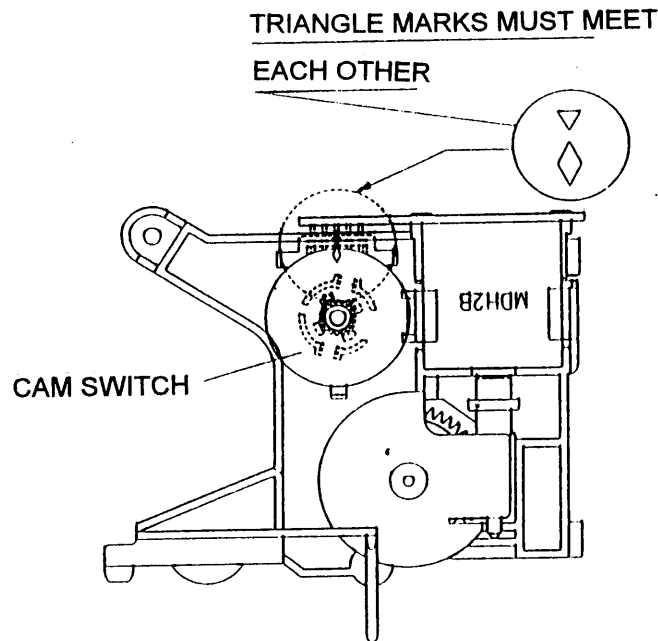


Fig. 4-3 DATUM POSITION OF CAM SWITCH TRIANGULAR MARKS

- d). Make sure that the boss "A" of the PINCHLEVER TOTAL ASSEMBLY is positioned at the point "B" of the CAM GEAR as shown in Fig. 4-4.

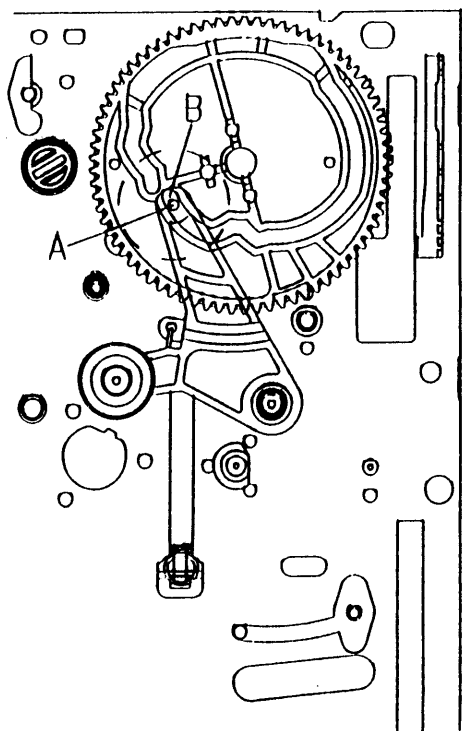


Fig. 4-4 DATUM POSITION OF PINCH LEVER TOTAL ASS'Y & CAM GEAR

e). Make sure that the triangular mark "A" on the L LOADING ASSEMBLY is aligned with the notch "B" on the R LOADING ASSEMBLY as shown in Fig. 4-5.

f). Make sure that the teeth of the LOADING RACK ASSEMBLY is aligned with the those of the R LOADING ASSEMBLY so that the hole of the LOADING RACK ASSEMBLY aligns with the circular mark on the R LOADING ASSEMBLY as shown in Fig. 4-5.

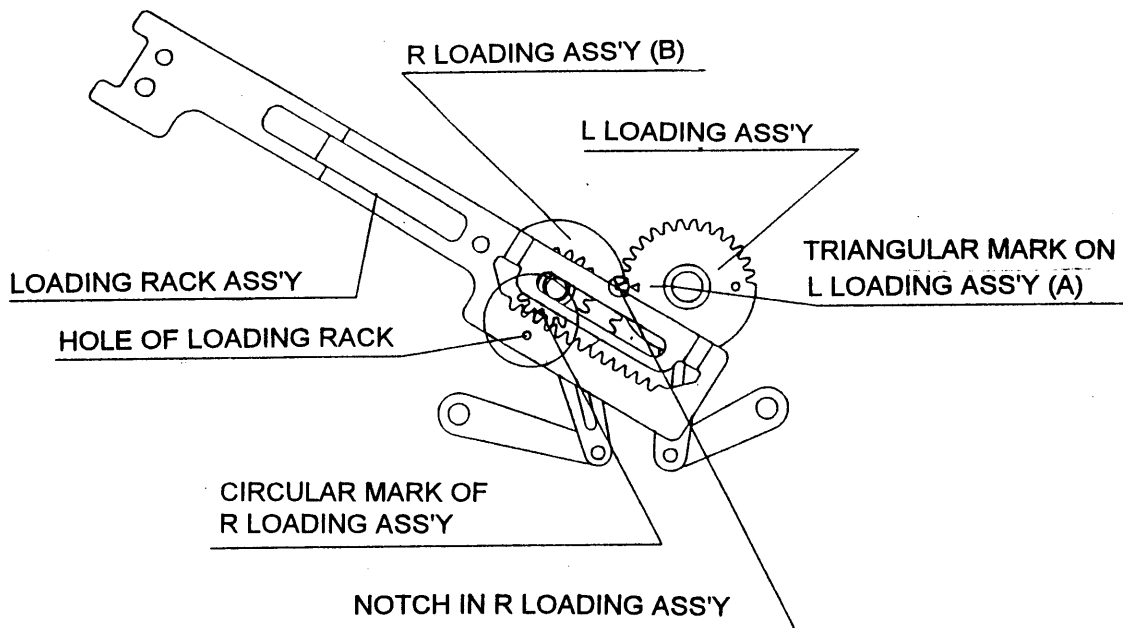


Fig. 4-5 DATUM POSITION OF LOADING RACK ASS'Y & R/L LOADING LEVER ASS'Y

4-2. BACK TENSION MEASUREMENT (See Fig. 4-6~4-7)

- Confirm that the position of the TENSION POLE is correctly POSITIONED. Refer to the "4-4 TENSION POLE POSITION ADJUSTMENT".
- Play back a T-120 TAPE at its center position without assembling F/L ASSEMBLY and wait until the TAPE running is stabilized (about 5~10 seconds).
- Bring the TENTELOMETER into contact with the TAPE (Fig. 4-6) and measure the BACK TENSION. The measuring result should be between 25 and 33 grams.
- If the measuring result is not within this specification, refer to the below NOTE or repeat "4-4 TENSION POLE POSITION ADJUSTMENT". (Fig. 4-7)

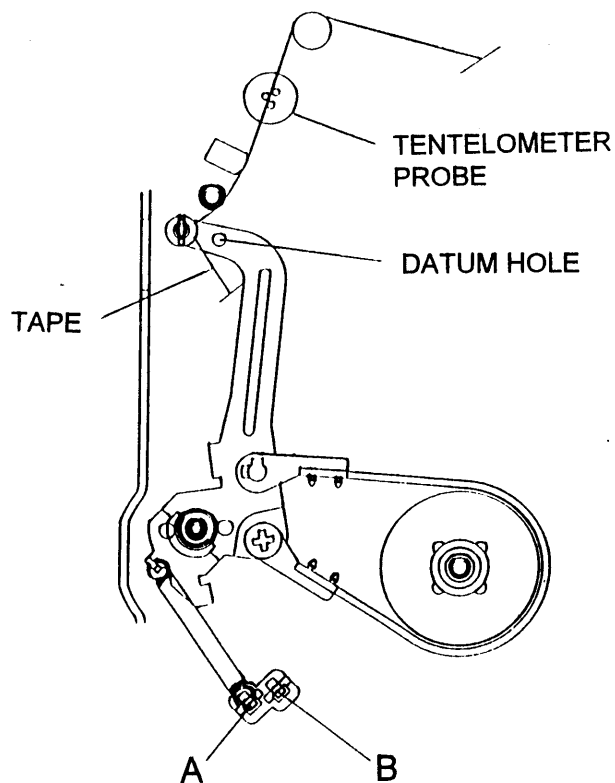


Fig. 4-6 BACK TENSION MEASUREMENT

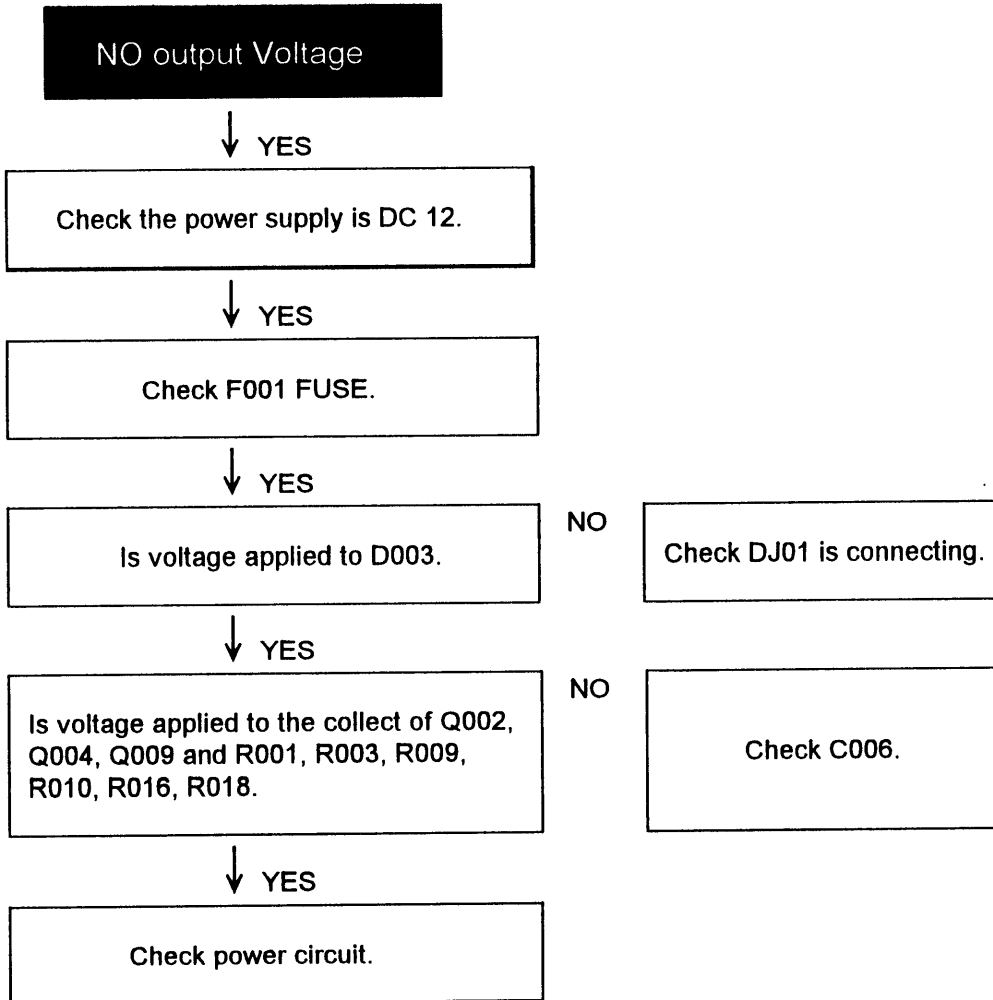
NOTE:

- If the measuring result is not within the specification, change the TENSION SPRING position. (To decrease the result, choose hook A. Otherwise, choose hook B).
- Confirm that all of the three probes of the TENSION METER are in contact with the TAPE. During this process, don't touch any other parts of the MECHANISM (i.e, MAINBASE).88
- It is recommended that this measurement be repeated at least three times for an accurate reading.

SECTION 5. TROUBLE SHOOTING FLOW CHART

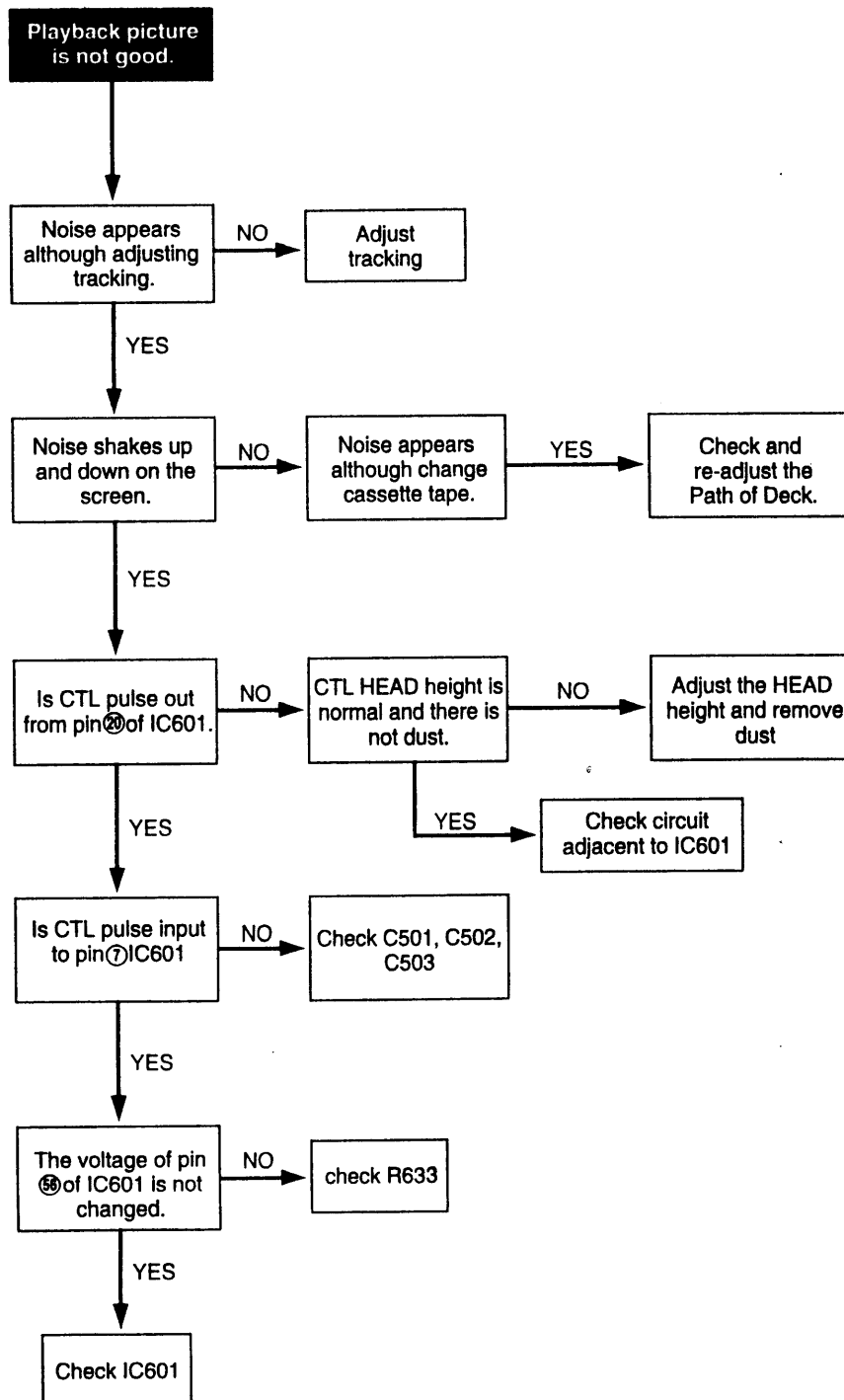
5-1. POWER CIRCUIT

A. CHECKING THE POWER CIRCUIT

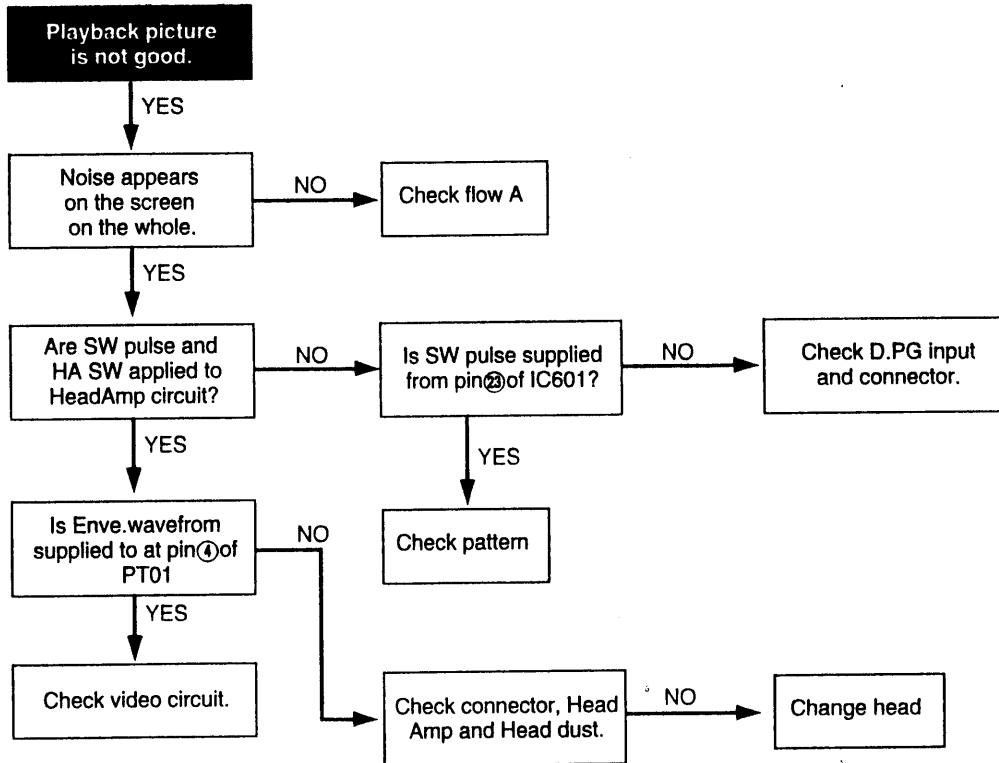


5-2 SERVO SYSCON CIRCUIT

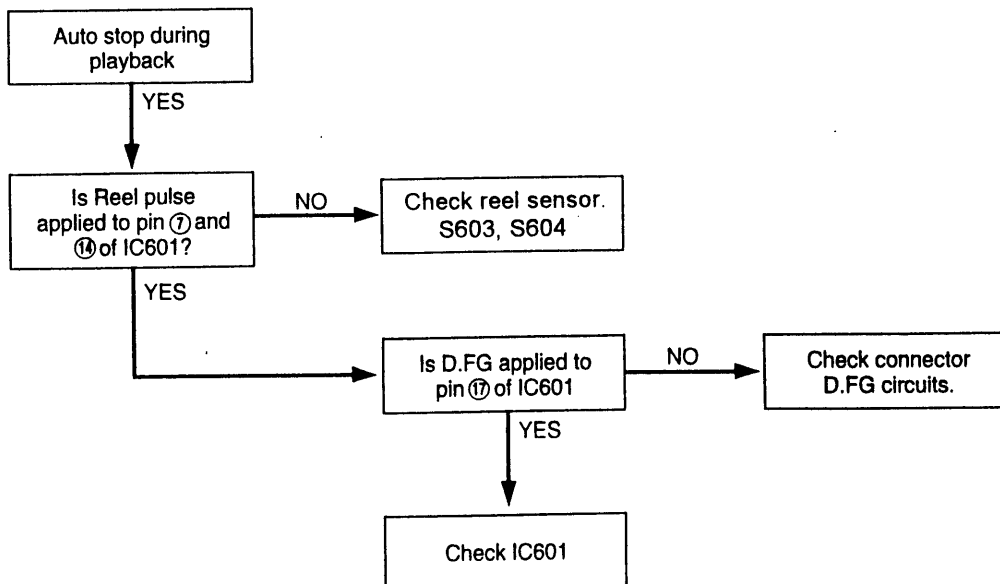
A.



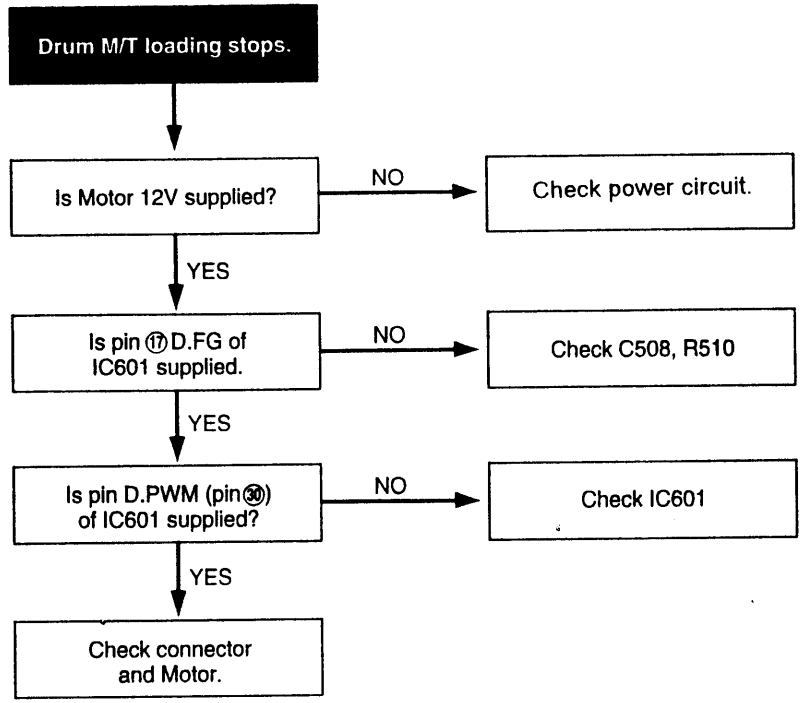
B.



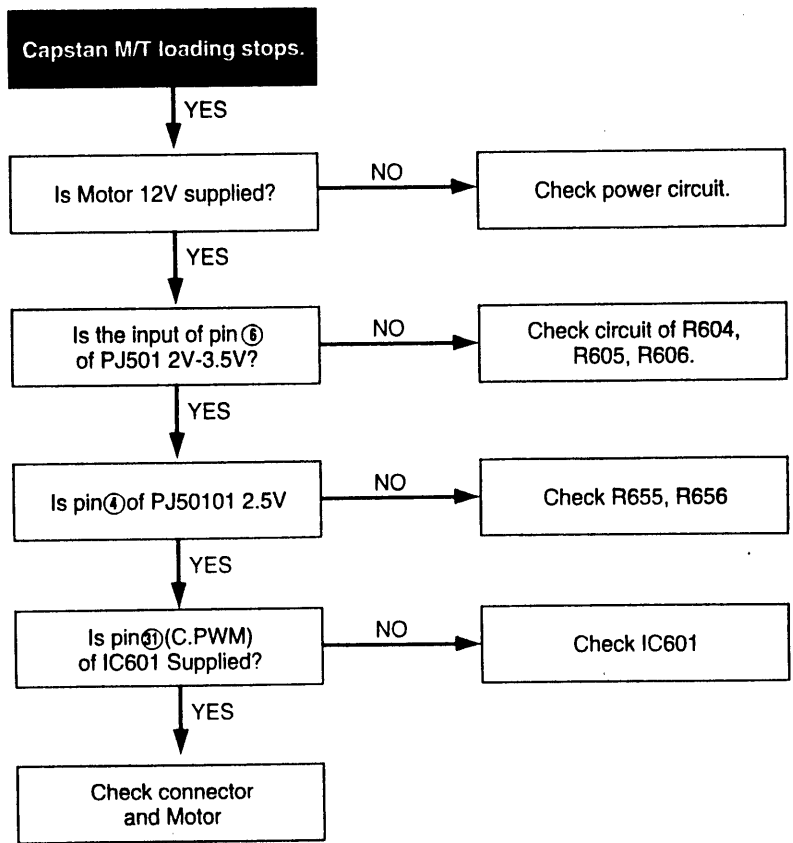
C.



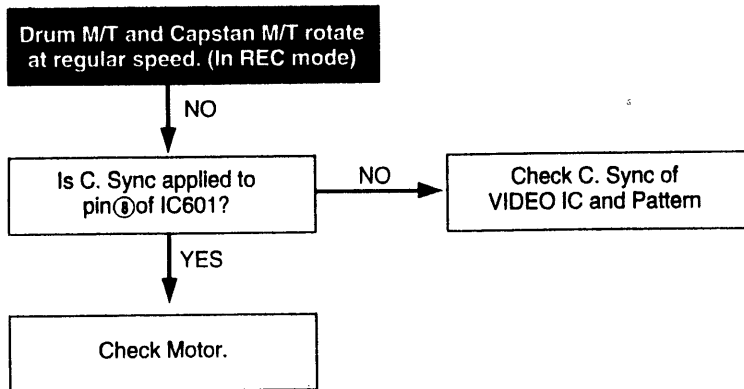
D.



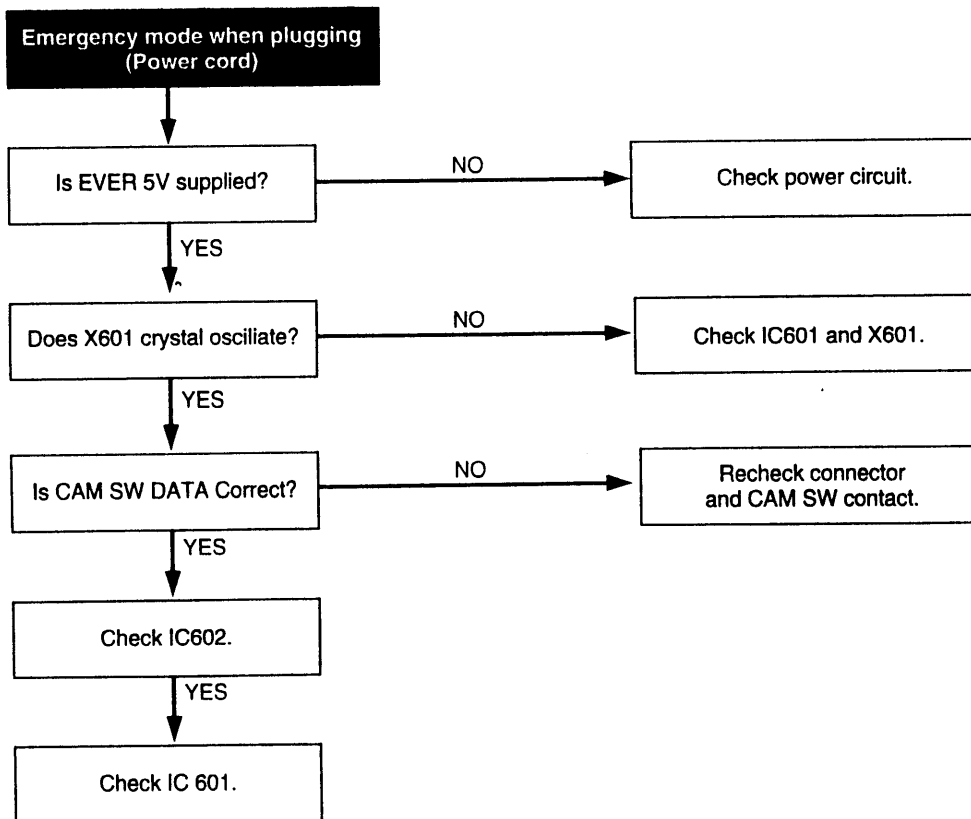
E.



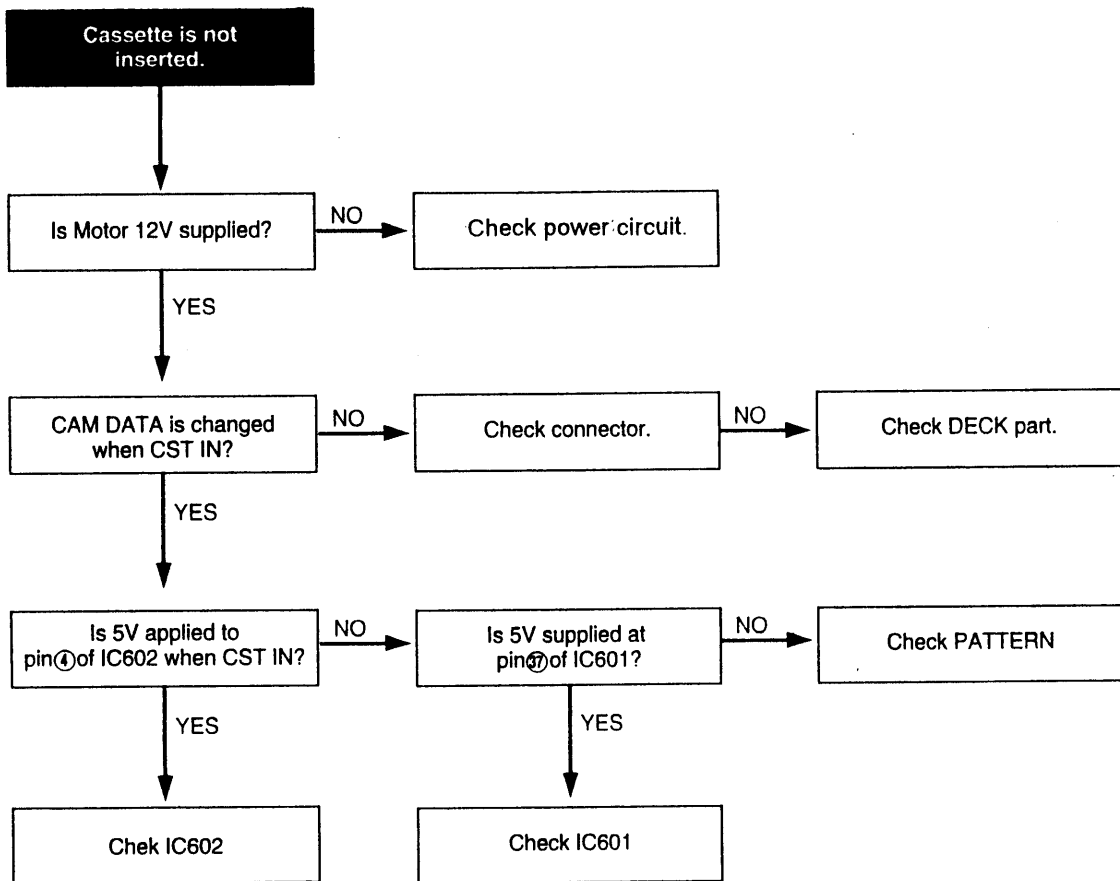
F.



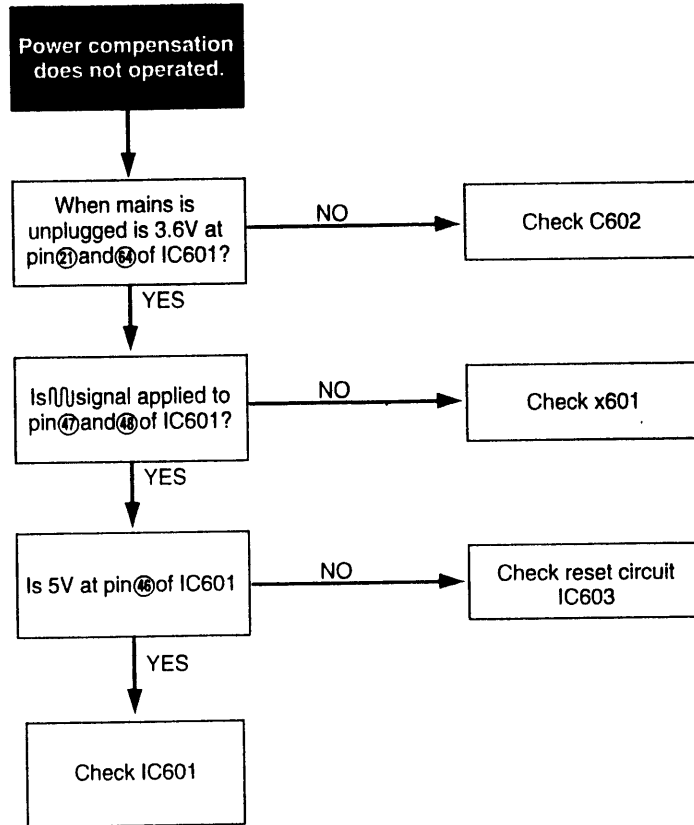
G.



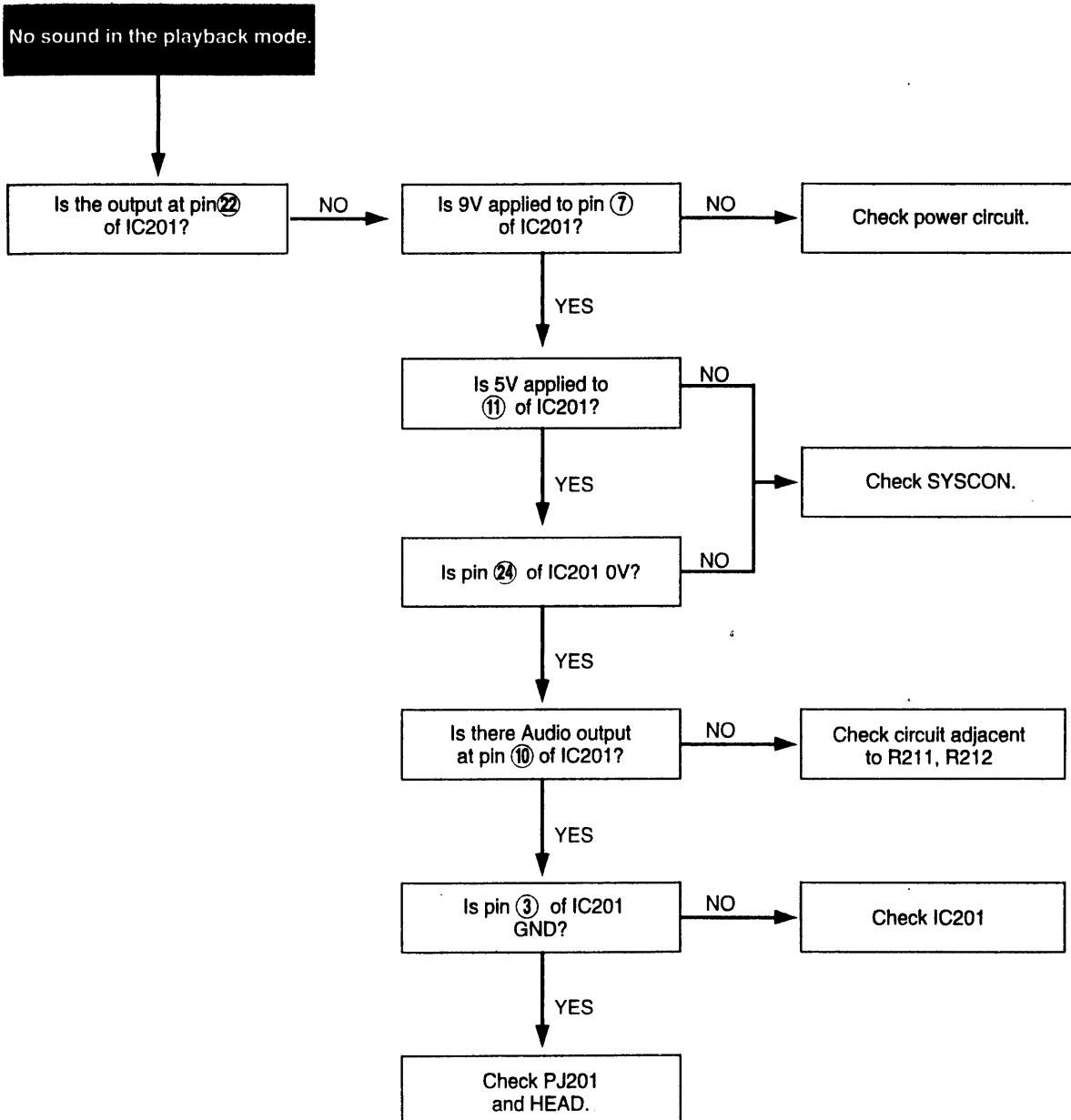
H.



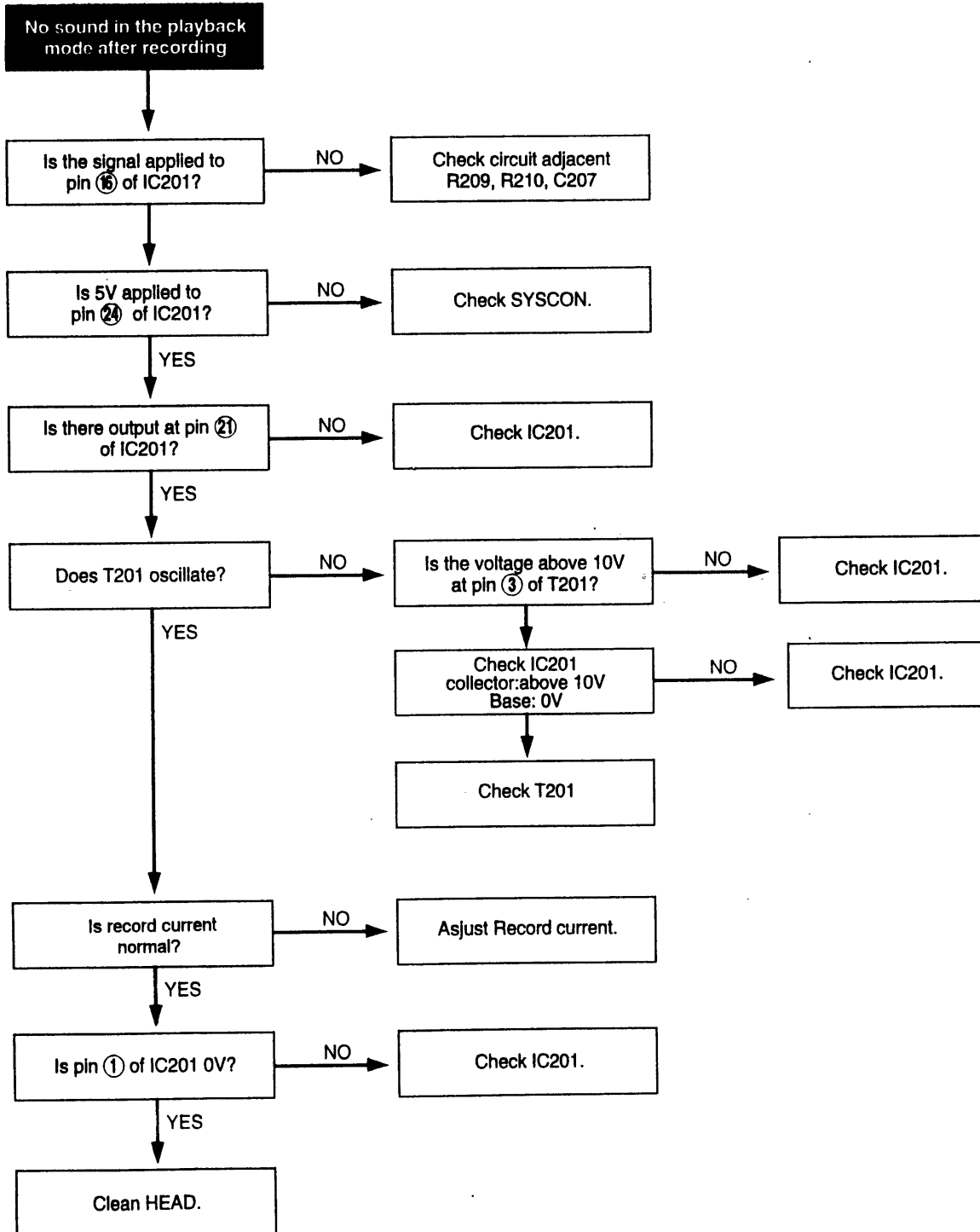
I.



A. Troubleshooting of PB mode

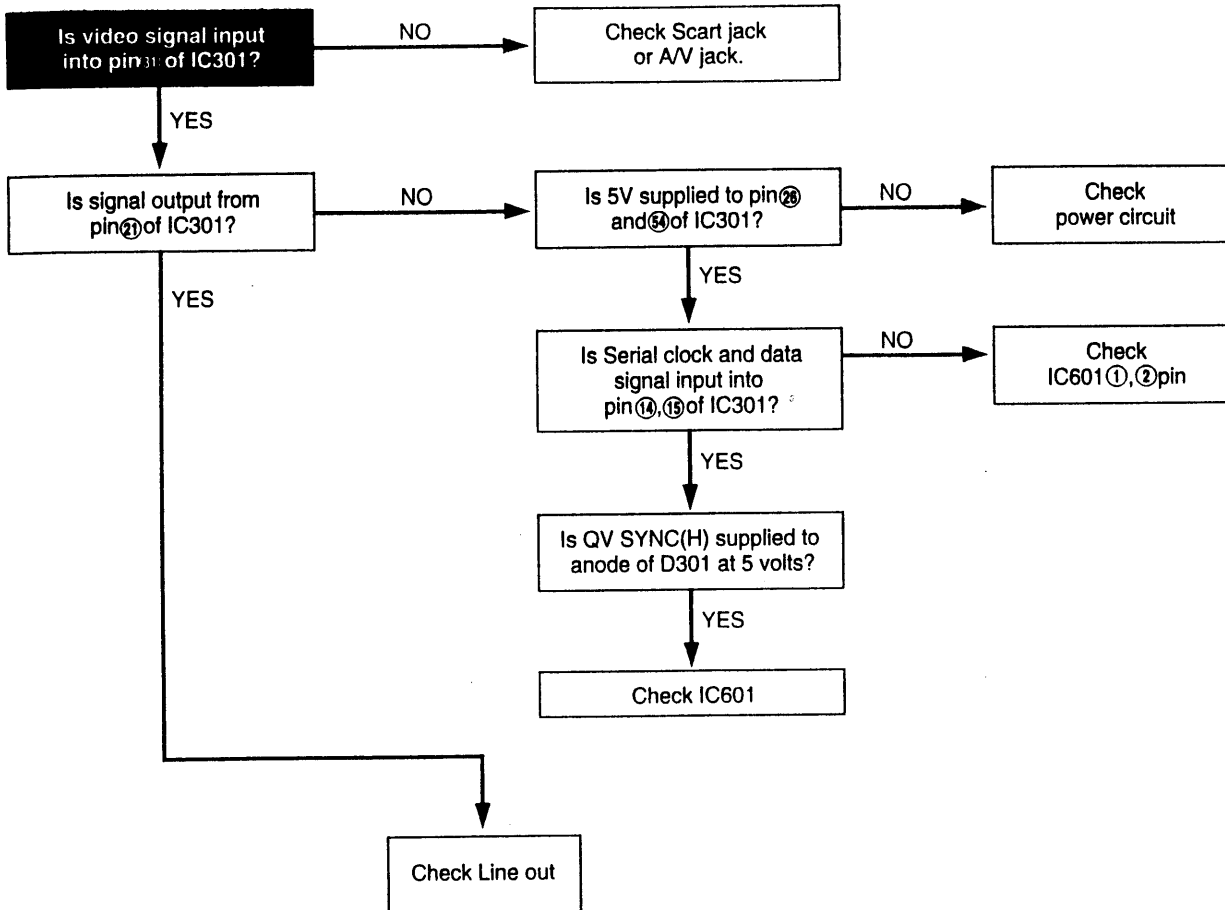


B. Troubleshooting of REC mode

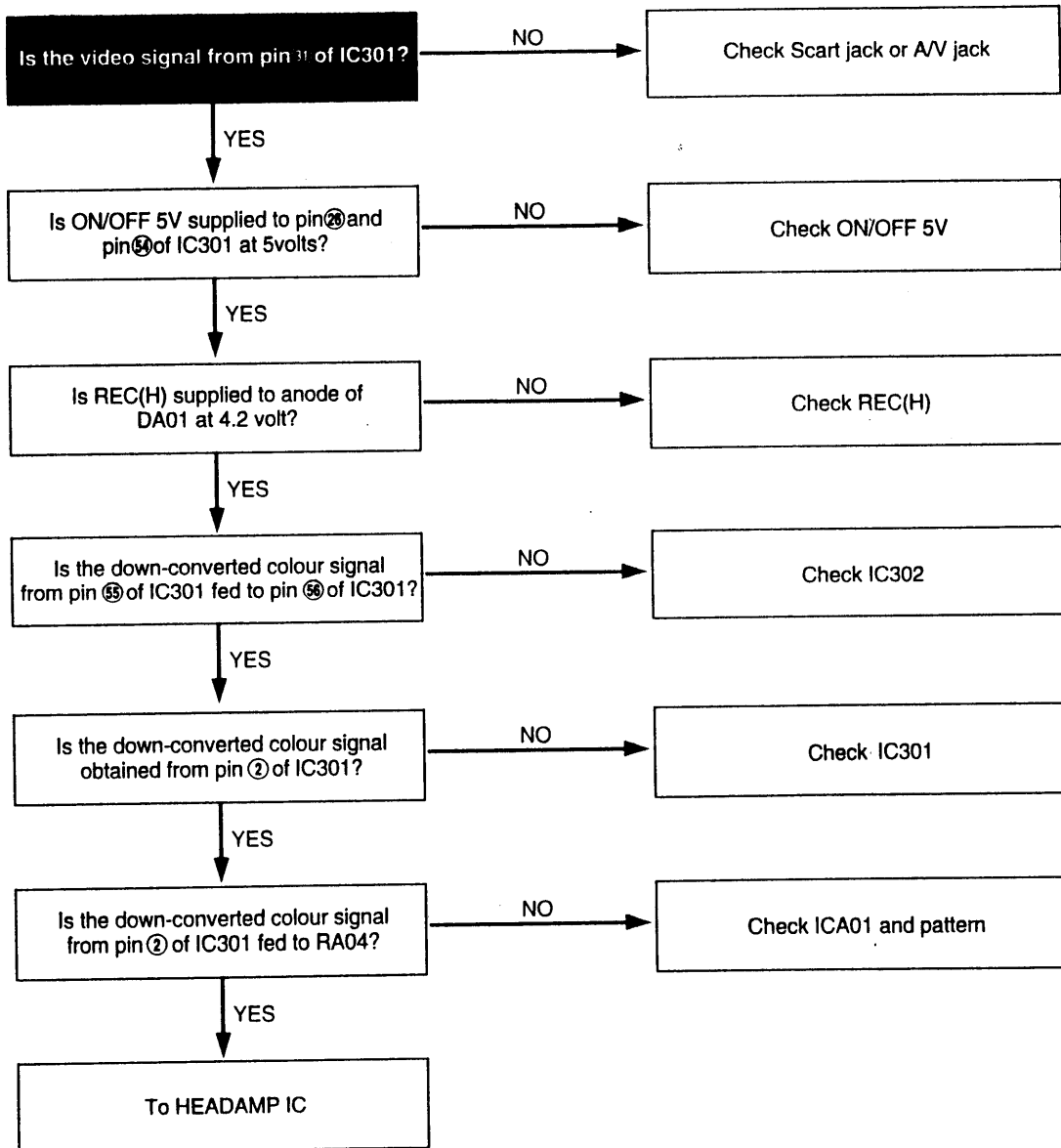


5-3 VIDEO CIRCUIT

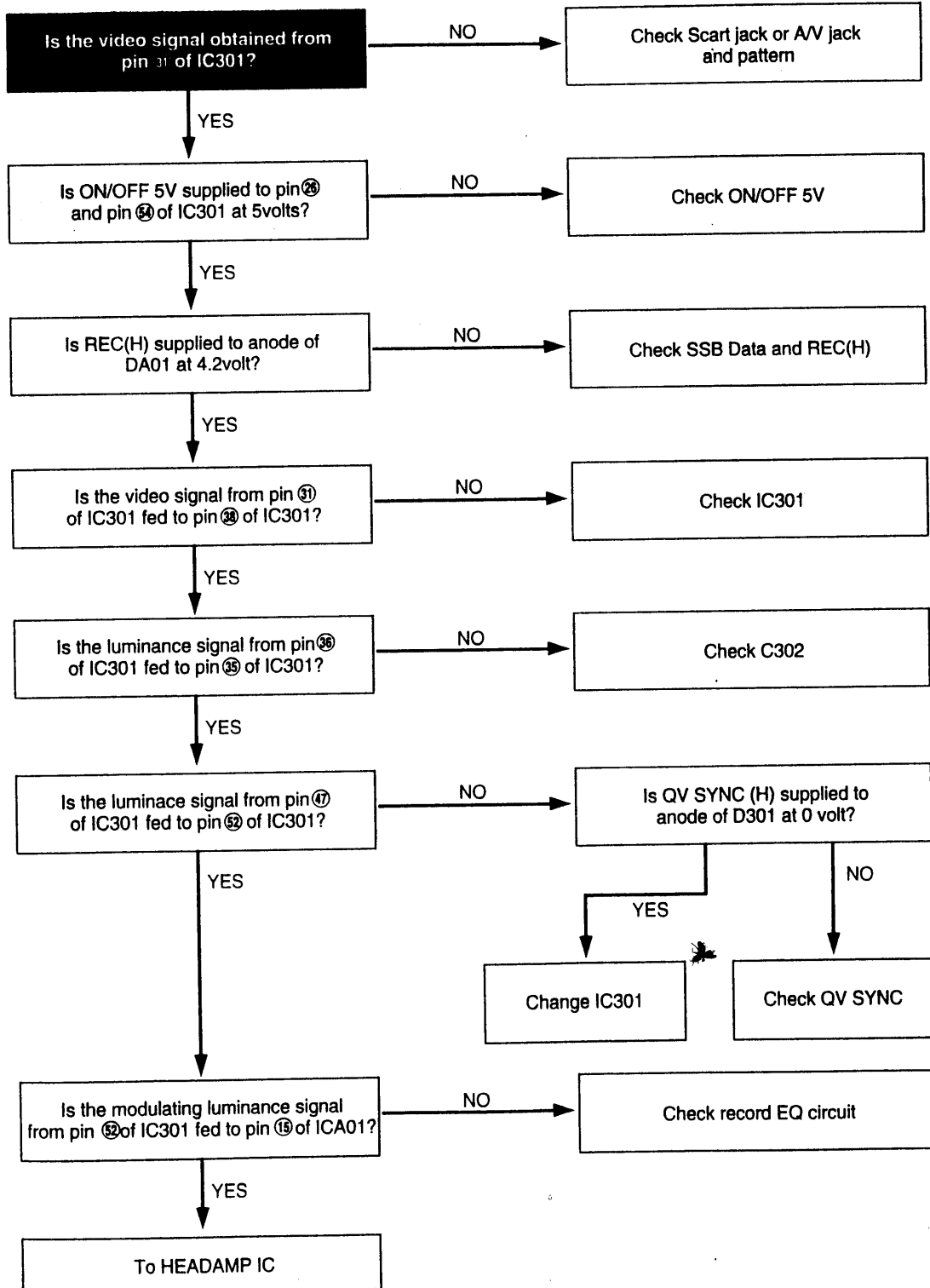
A.EE MODE Picture N.G



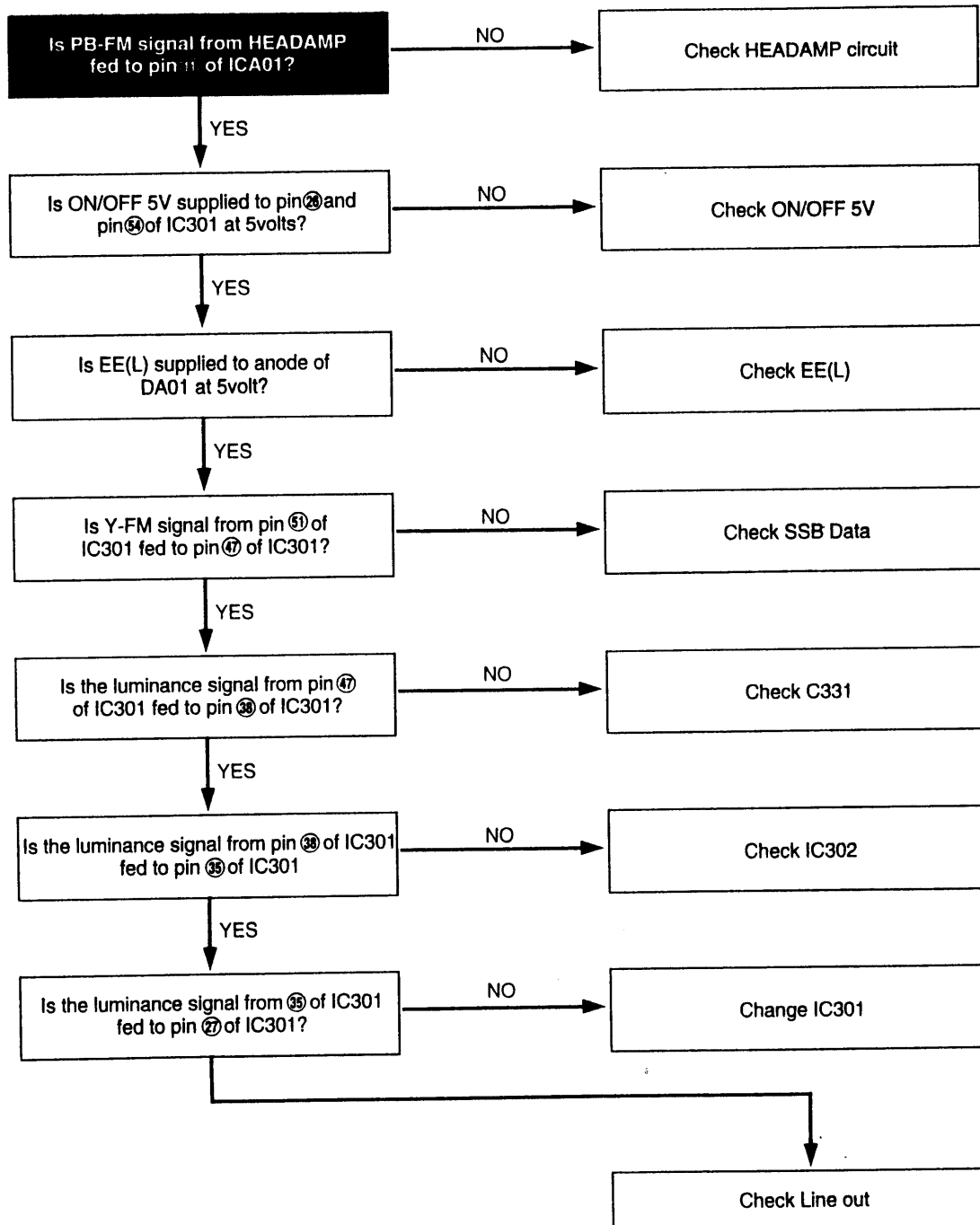
B.REC COLOUR NG



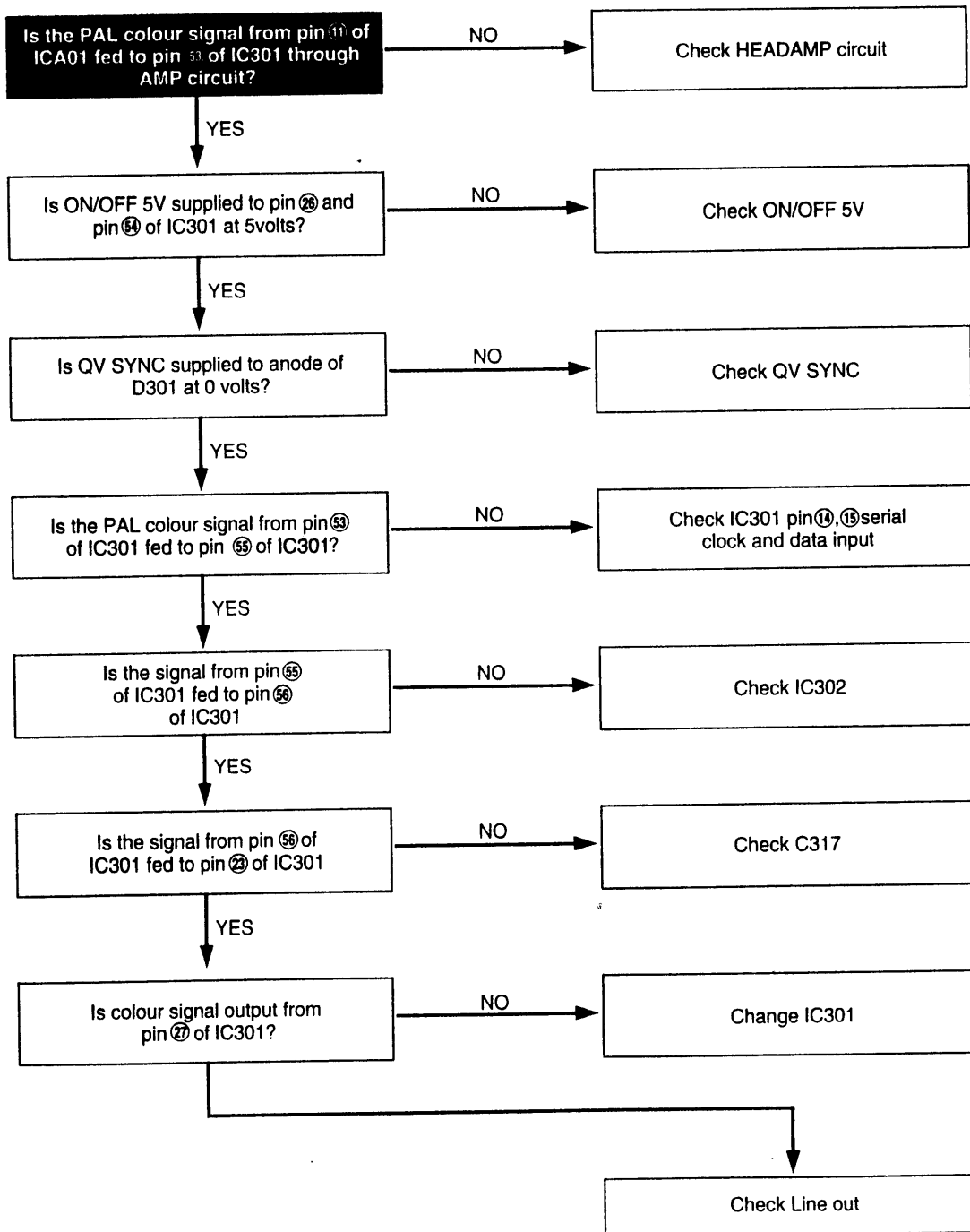
C.REC Luminance NG



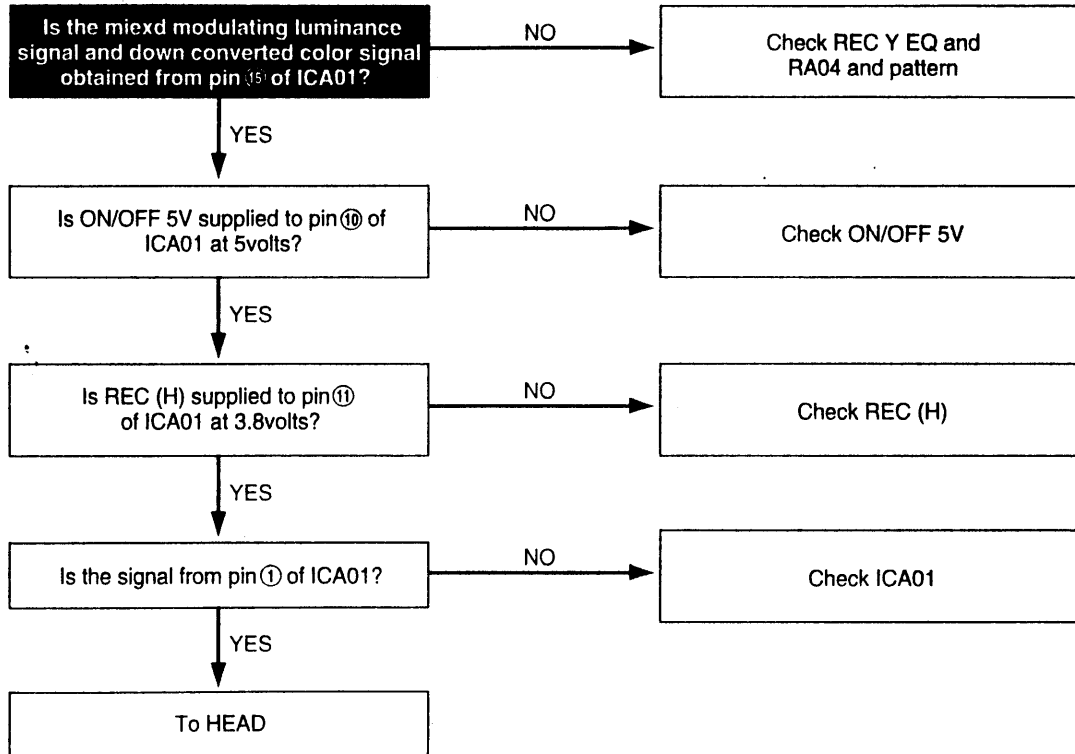
D. PB luminance NG



E. PB Colour NG



F. REC HEADAMP NG

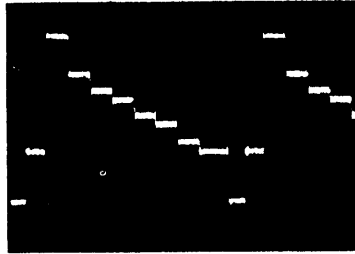


SECTION 6. WAVEFORMS ON VIDEO CIRCUIT

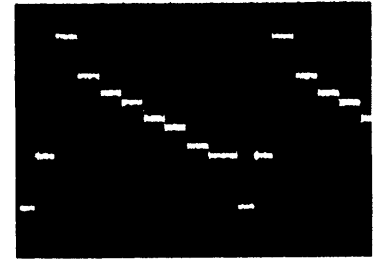
6-1 WAVEFORMS OF THE LUMINANCE AND COLOR IN THE RECORD MODE (Color bar input)



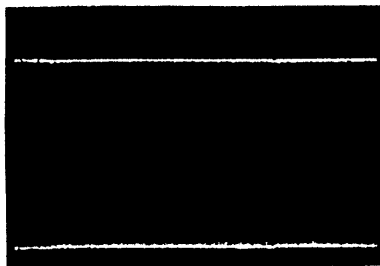
① VIDEO INPUT SIGNAL
(50mV/10ms)
Pin ③① of IC301
(PAL Color bar input: 1.0Vp-p)



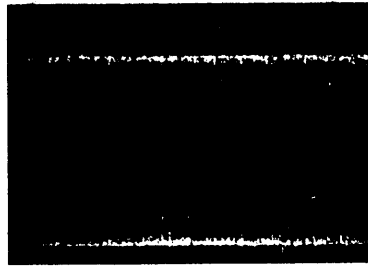
② VIDEO OUTPUT SIGNAL
(50mV/10ms)
Pin ③⑧ of IC301 (0.5Vp-p)



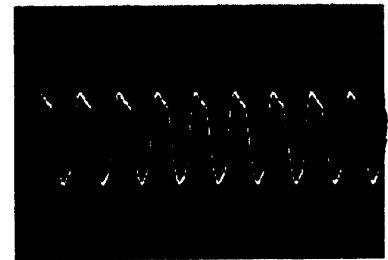
③ COLOR BURST SIGNAL
(50mV/10ms)
Pin ③⑤ of IC301 (0.5Vp-p)



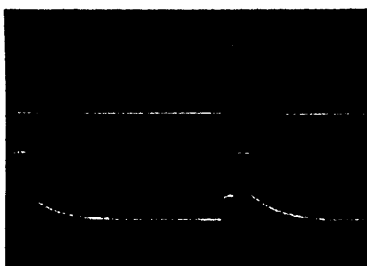
④ AFTER CCD Y
(100mV/10ms)
Pin ⑤② of IC301 (900mVp-p)



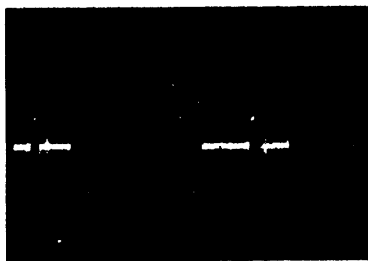
⑤ CLAMP INPUT SIGNAL
(100mV/10ms)
Pin ① of ICA01 (3.5Vp-p)



⑥ BGP OUTPUT TERMINAL
(1V/10ms)
pin ⑧ of IC301
(fsc=4.43MHz: 1.0Vp-p)

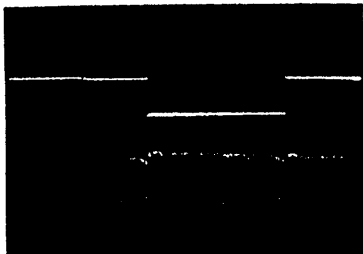


⑦ C.SYNC
(1V/10ms)
C.SYNC: 4Vp-p

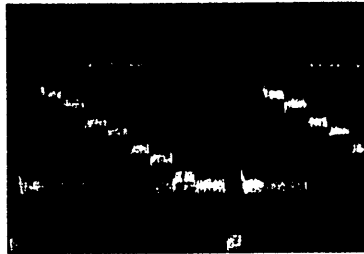


⑧ PB. FSC
(200mV/0.1µs)
Pin ⑤⑥ of IC301
(PAL Color: 350mVp-p)

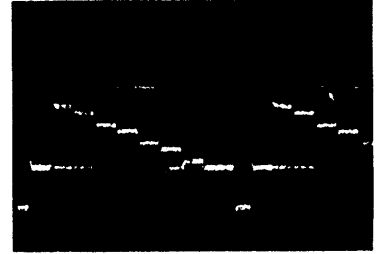
6-2 WAVEFORMS OF THE PAL LUMINANCE AND COLOR IN THE PB MODE (DP-1 test tape)



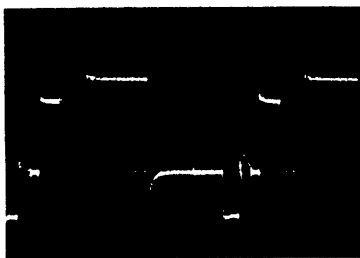
① UP: Pin ① of IC301
DOWN: Pin ⑤① of IC301



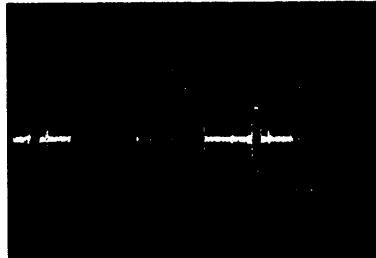
② Pin ③⑧ of IC301 (0.4Vp-p)



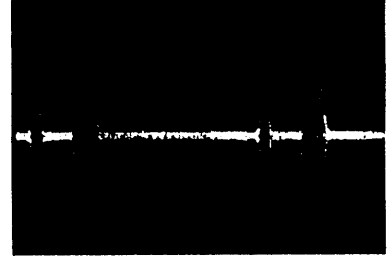
③ Pin ③⑤ of IC301 (0.4Vp-p)



④ Pin ②⑦ of IC301
(Video out: 2.0Vp-p)

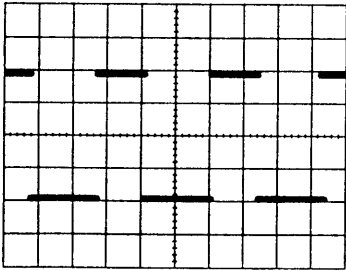


⑤ Pin ⑤⑥ IC301 (0.5Vp-p)

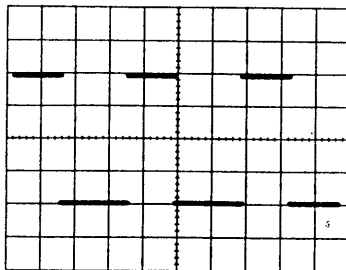


⑥ Pin ②③ IC301 (290mVp-p)

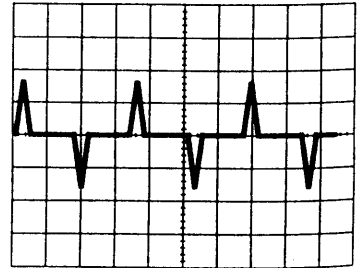
6-3 WAVEFORMS OF THE SERVO/SYSCON CIRCUIT



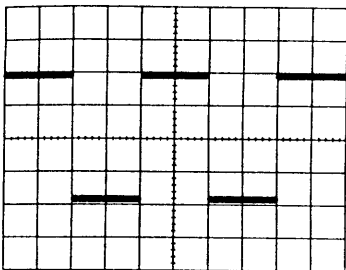
(A) 1V/10mS
Pin 6 of IC501



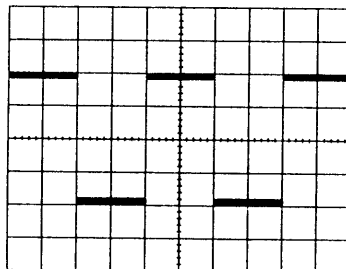
(B) 1V/10mS
Pin20 of IC601



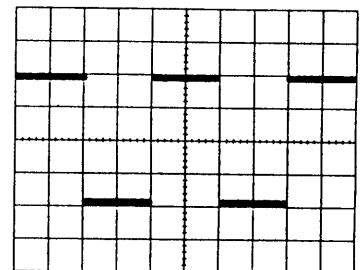
(C) 1V/10uS
Pin 31 of IC601



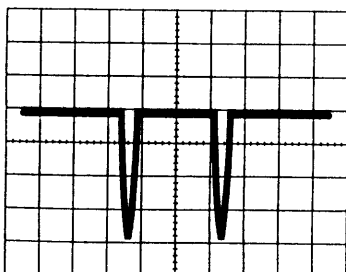
(D) 1V/5mS
Pin 23 of IC601



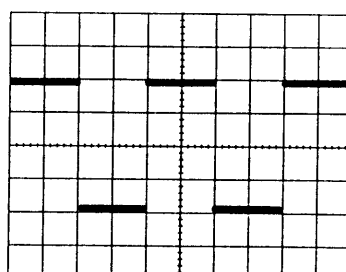
(E) 1V/10uS
Pin30 of IC601



(F) 1V/500uS
Pin 17 of IC601



(G) 1V/5mS
Pin 3 of PJ502



(H) 1V/200mS
Pin4 of IPT01

SECTION 7. μ -COM PORT

No	Port	I/O	Port Name	Port Function	Initial
1	P40	O	V. CLK	VIDEO SERIAL CLOCK	
2	P41	O	V. DATA	VIDEO SERIAL DATA	
3	P42	O	SP (L), EP (M), LP (H)		
4	P43	O	Amute_H	AUDIO MUTE OUTPUT	
5	P44	O	PWR ON (L)	POWER ON (L) OUTPUT	
6	P45	I	OPTION PORT	AUTO REPEAT (L) / NO AUTO REPEAT (H)	
7	P46	I	S_REEL.P	SUPPLY REEL PULSE INPUT	
8	P47	I	C.SYNC	COMPOSITE SYNC INPUT FOR SYNC DETECT	
9	P30	O	SLOW STEP	SLOW STEP OUTPUT	
10	P31	O	CAP I CTL (L)	CAPSTAN CURRENT LIMIT CONTROL OUTPUT	
11	P32	O	CAP REV (H)	CAPSTAN ROTATE DIRECTION OUTPUT	
12	P33	I	C.SYNC	COMPOSITE SYNC INPUT (REC → REFERENCE)	
13	P34	I	REMOTE	REMOCON SIGNAL INPUT	
14	P35	I	T_REEL.P	TAKE-UP REEL PULSE INPUT	
15	P36	I	V.SYNC	VERTICAL SYNC INPUT FOR NTSC/PAL SEL.	
16	P37	O	PB (L)		
17	P64	I	D.FG	DRUM FG INPUT	
18	P65	I	C.FG	CAPSTAN FG INPUT	
19	P66	I	C.FG	CAPSTAN FG INPUT	
20	P67	I	PB. CTL	PLAY BACK CONTROL SIGNAL INPUT	
21	TEST	I		Vcc (+5V)	
22	P00	O	QV.SYNC	QUASI V.SYNC OUTPUT IN SPECIAL PB MODE	
23	P01	O	V.SWP	VIDEO HEAD SWITCHING PULSE OUTPUT	
24	P02	O	A.SWP	AUDIO HEAD SWITCHING PULSE OUTPUT	
25	P03	O	PWR/STB LED	POWER/STAND-BY LED OUTPUT	
26	P04	O	Rewind (L) LED	REWIND LED OUTPUT	
27	P05	O	Play LED	PLAY LED OUTPUT	
28	P06	O	FF (R) LED	FAST FORWARD LED OUTPUT	
29	P07	O	Cassette-in LED	Cassette-in LED OUTPUT	
30	PWM0	O	D.PWM	DRUM PWM OUTPUT	
31	PWM1	O	C.PWM	CAPSTAN PWM OUTPUT	
32	VSS	I	GND	GND	

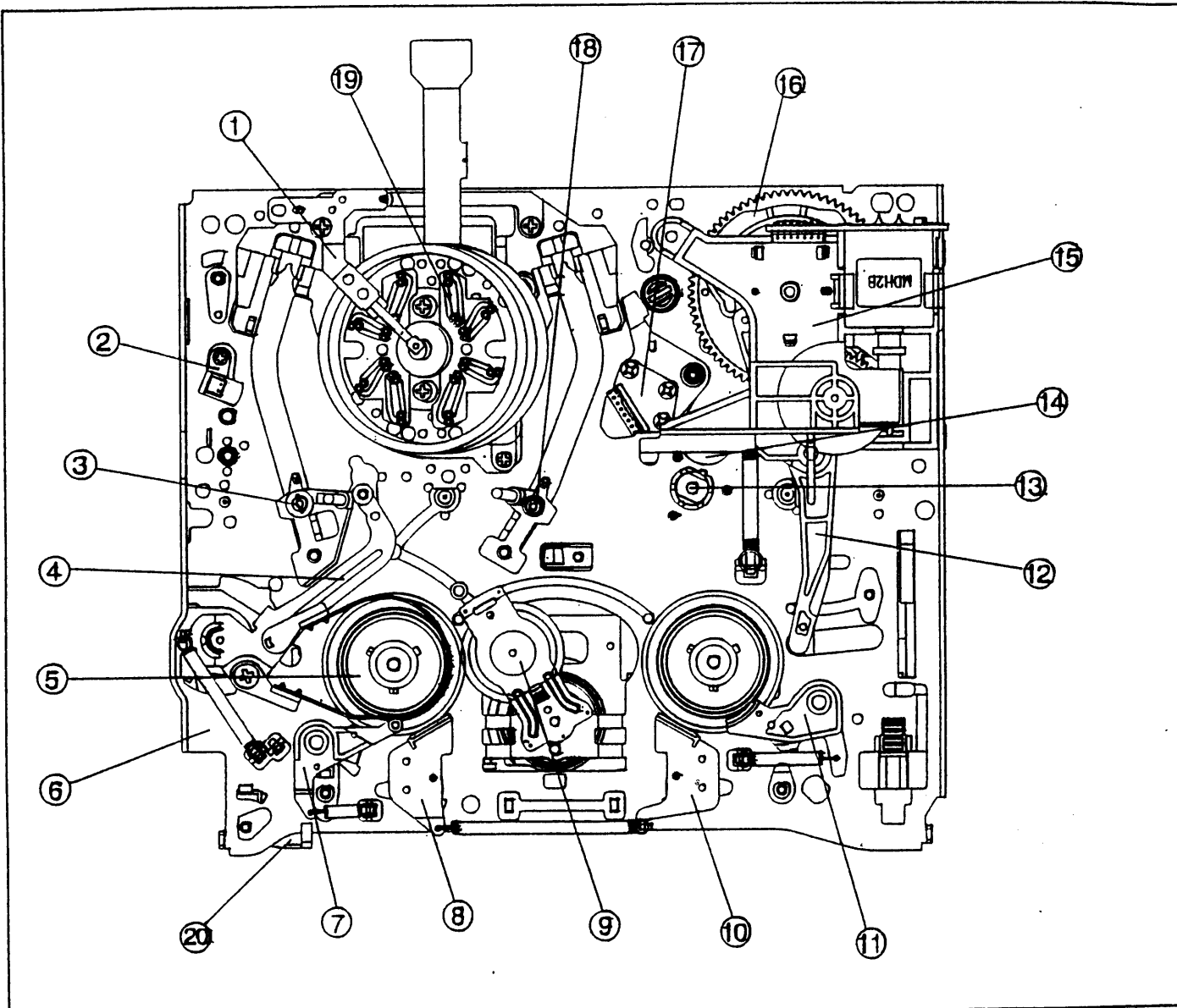
No	Port	I/O	Port Name	Port Function	Initial
33	P27	O	Auto Repeat LED	Auto Repeat LED OUTPUT	
34	P26	O	Record LED	Record LED OUTPUT	
35	P25	O	No-col-kil (H)	TV/VCR LED OUTPUT	
36	P24	O	EE (L)	EE MODE OUTPUT	
37	P23	O	NOT USED		
38	P22	O	HIFI_CLK	HIFI IC CONTROL I ² C BUS CLOCK	
39	P21	O	TV (H)/VCR (L)	INPUT SELECTION OUTPUT	
40	P20	O	REC CTL	RECORD CONTROL SIGNAL OUTPUT	
41	P10	O	LM ON (H)	LOADING MOTOR DRIVE LOGIC	
42	P11	O	LM +/-	LOADING MOTOR DRIVE LOGIC	
43	P12	O	60Hz/50Hz	NTSC OR PAL DETECT OUTPUT	
44	P13	O	REC (H)	REC MODE OUTPUT	
45	CLK		NOT USED		
46	RESET	I	RESET	RESET INPUT	
47	X1	I	OSC IN	10MHz OSC INPUT	
48	X2	O	OSC OUT	10MHz OSC OUTPUT	
49	Vss	I	GND	GND	
50	P63	I	Mesecam (H)	Mesecam (H) input ports	
51	P62	I	KEY 3	For wired remocon (STOP, PLAY, FF, REW)	
52	P61	I	T.END (L)	END SENSOR INPUT	
53	P60	I	T.END (L)	END SENSOR INPUT	
54	P57	I	KEY 2	KEY Input 2 (REC, REW, FF, PAS/STL)	
55	P56	I	CAM 2	CAM Input 2 (CAM C, REC safety)	
56	P55	I	KEY 1	KEY Input 1 (pwr; st/ej, a/r, ply)	
57	P54	I	PG DLY	PG DELAY ADJUST INPUT	
58	P53	I	TRK DLY	PATH ADJUST INPUT	
59	P52	I	PG DLY	PG DELAY ADJUST INPUT	
60	P51	I	ENVE. DET	DC ENVE. INPUT FOR AUTO TRACKING	
61	P50	I	OPTION 1	DRUM & NTSC/PAL/AUTO SELECTION INPUT	
62	Vref	I	AVcc	A/D CONVERTER REFERENCE VOLTAGE	
63	A.GND	I	GND	A/D CONVERTER GND	
64	Vcc	I	Vcc	Vcc (+5V)	

SECTION 8. ASSEMBLING DIAGRAM & CHECK FOR THE MAJOR PARTS

8-1 ASSEMBLING DIAGRAM

8-1-a) ASSEMBLING DIAGRAM OF DECK ASS'Y:

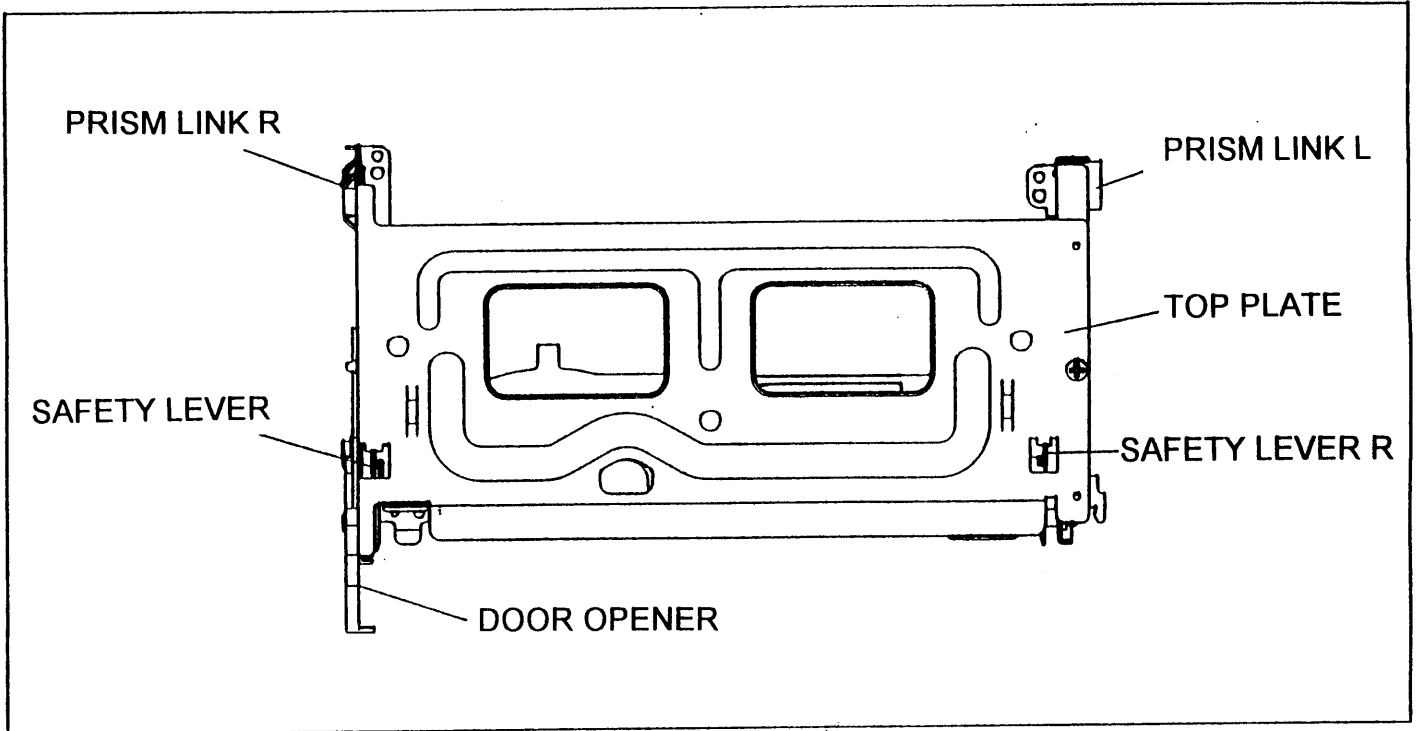
TOP VIEW



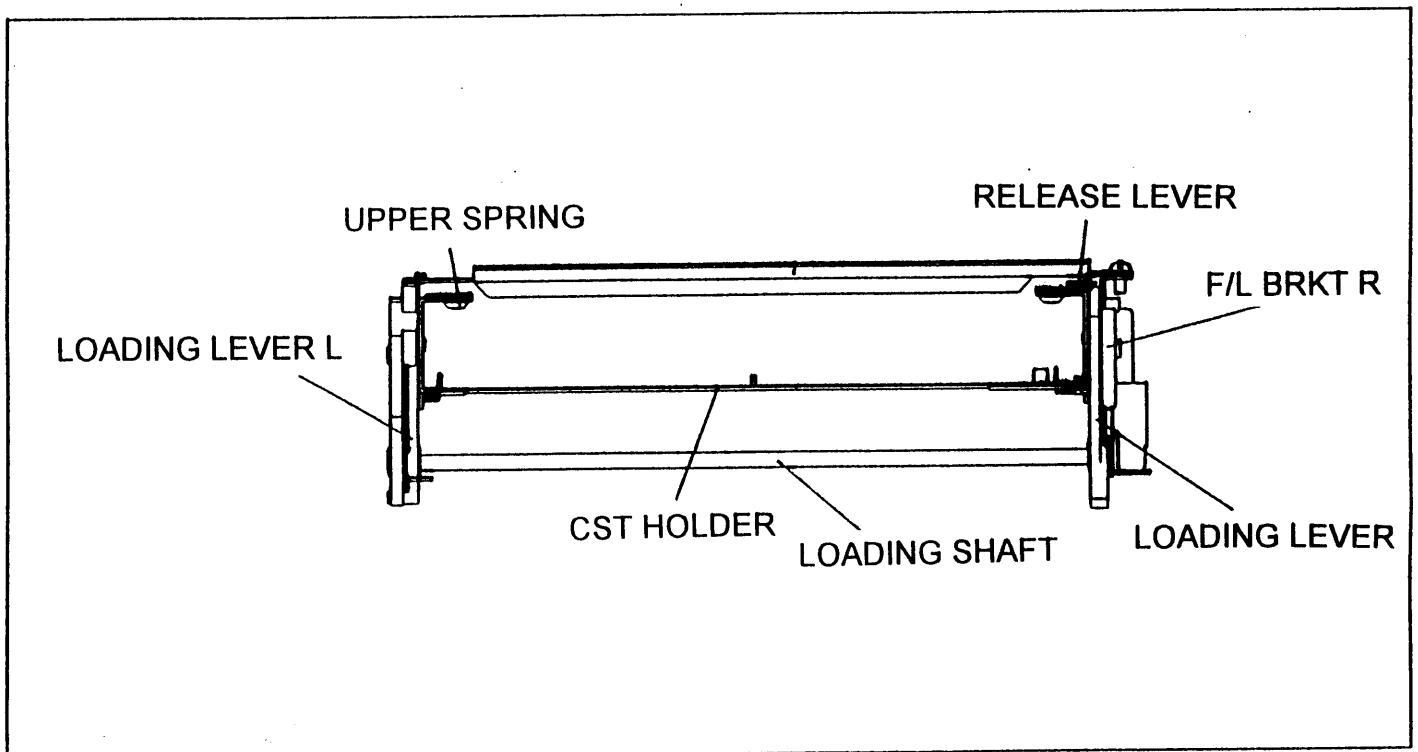
- | | |
|----------------------------|-----------------------------|
| 1. EARTH BRKT ASS'Y | 11. T-SUB BRAKE ASS'Y |
| 2. FE HEAD | 12. RELAY LEVERL |
| 3. S SLANT POLE ASS'Y | 13. CAPSTAN MOTOR |
| 4. TNSION BAND ASS'Y | 14. PINCH LEVER TOTAL ASS'Y |
| 5. REEL TABLE | 15. L/C BRKT TOTAL ASS'Y |
| 6. MAIN BASE ASS'Y | 16. CAM GEAR |
| 7. S SUB BRAKE ASS'Y | 17. A/C HEAD TOTAL ASS'Y |
| 8. S MAIN BRAKE ASS'Y | 18. T SLANT POLE ASS'Y |
| 9. IDLER PLATE TOTAL ASS'Y | 19. DRUM TOTAL ASS'Y |
| 10. T MAIN BRAKE ASS'Y | 20. RECORD SAFETY LEVER |

8-1-b) PARTS LOCATION OF FRONT LOADING ASS'Y

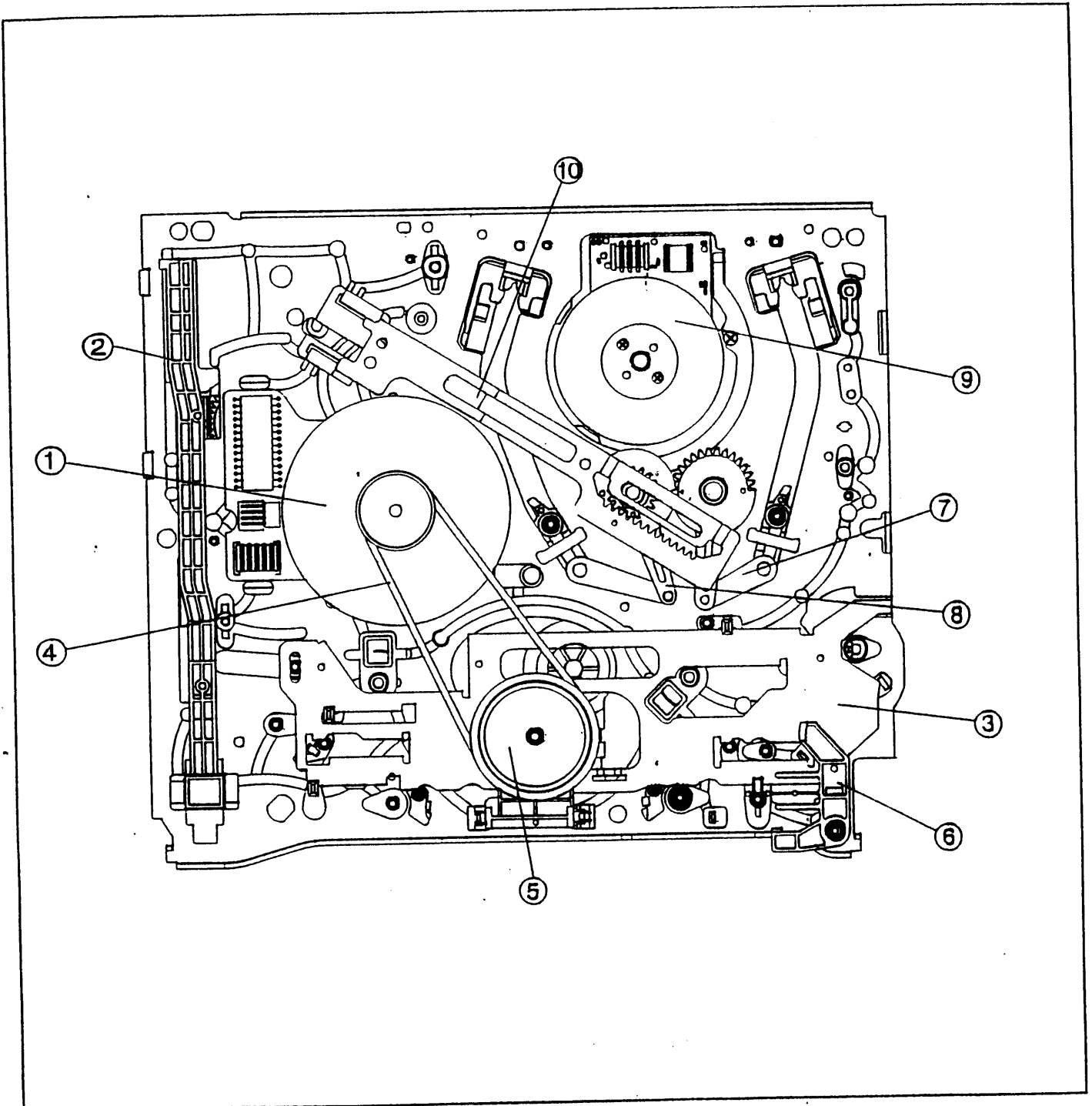
TOP VIEW



BOTTOM VIEW



BOTTOM VIEW

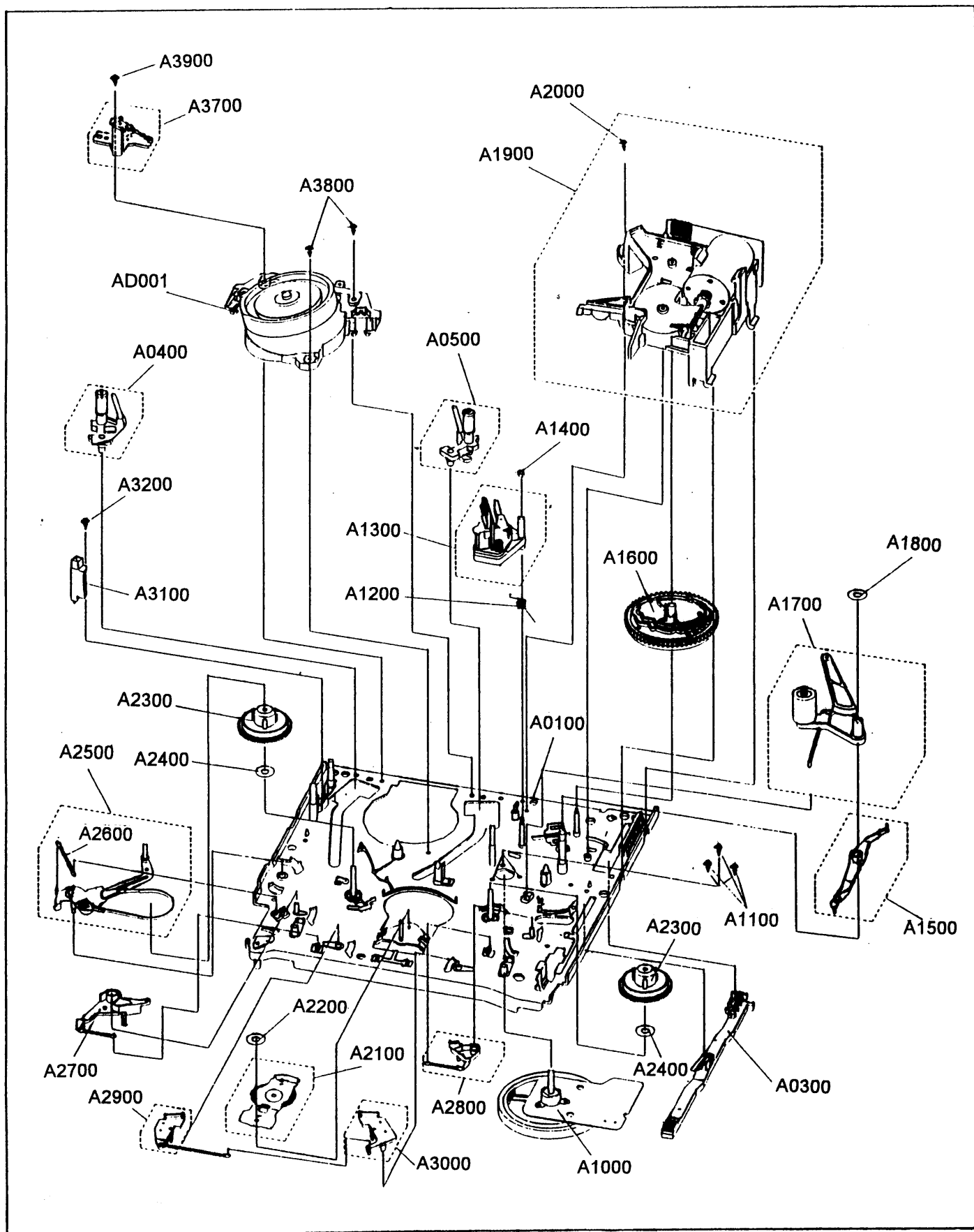


1. CAPSTAN MOTOR
2. F/L RACK
3. CONNECT PLATE
4. REEL BELT
5. REEL GEAR TOTAL ASS'Y

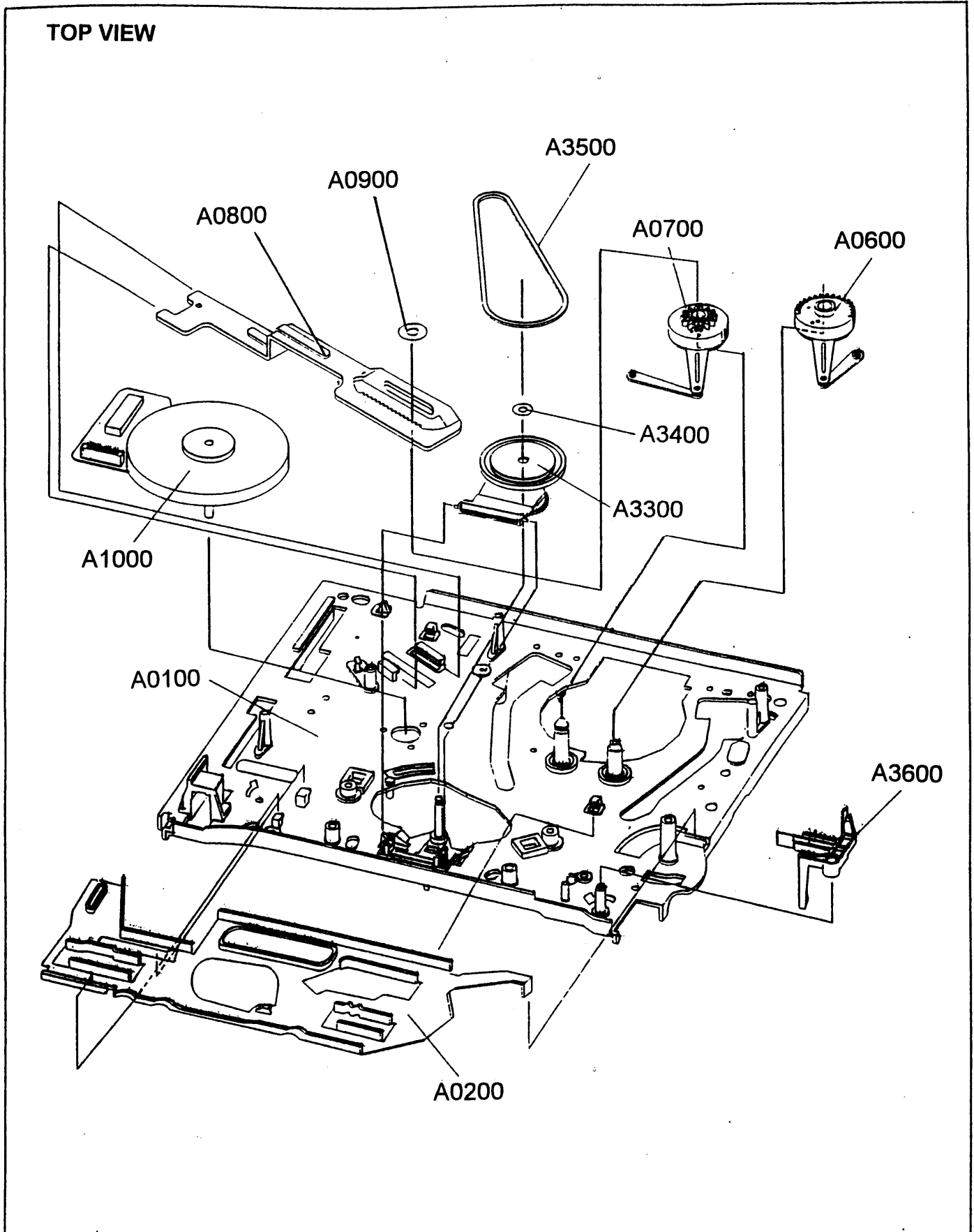
6. RECORD SAFETY LEVER
7. L LOAD ASS'Y
8. R LOADING ASS'Y
9. DRUM TOTAL ASS'Y
10. LOADING RACK ASS'Y

SECTION 9. EXPLODED VIEW AND PARTS LIST

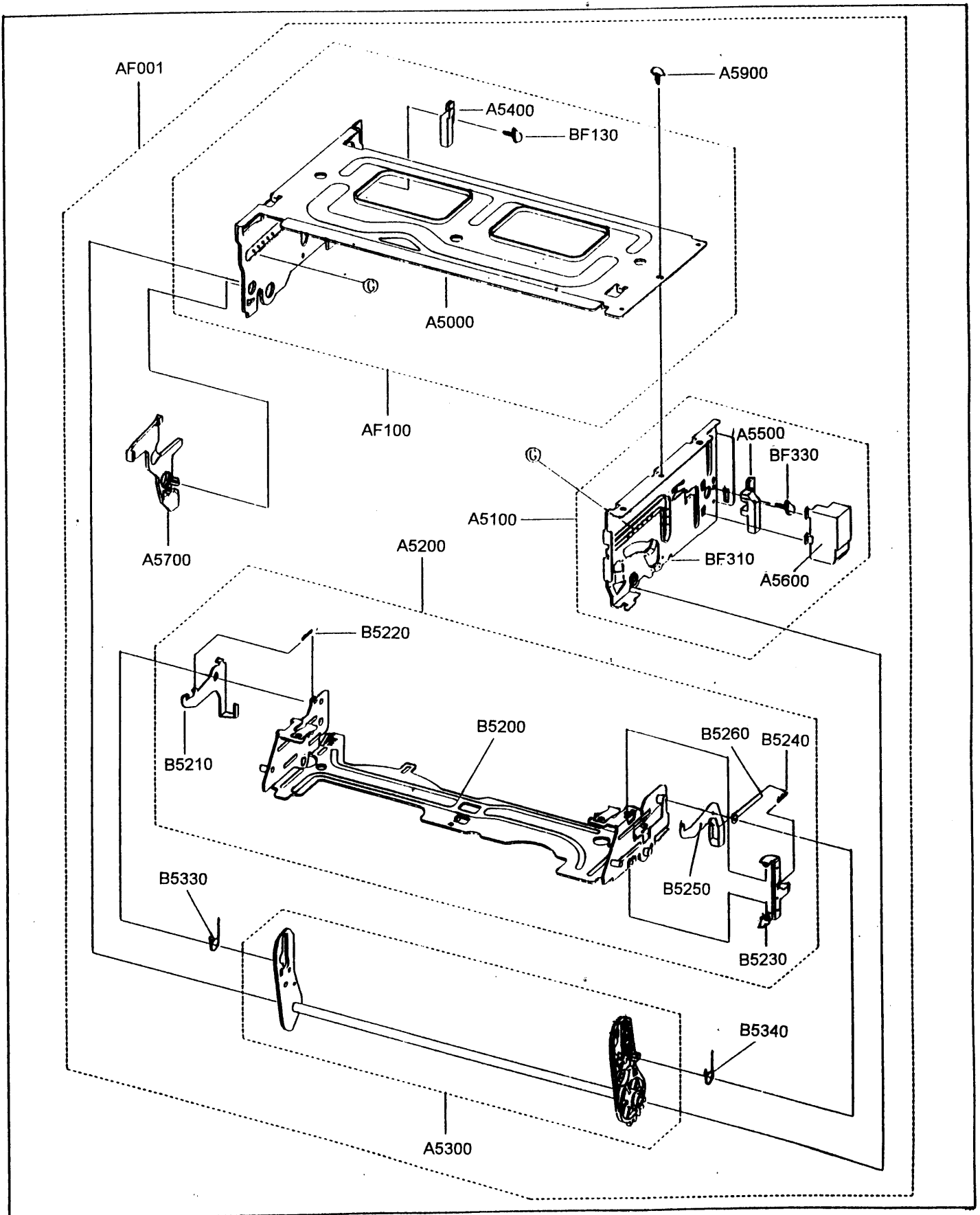
9-1 EXPLODED VIEW OF DECK ASS'Y (TOP VIEW):



9-2 EXPLODED VIEW OF DECK ASS'Y (BOTTOM VIEW):



9-3 EXPLODE VIEW OF F/L ASS'Y:



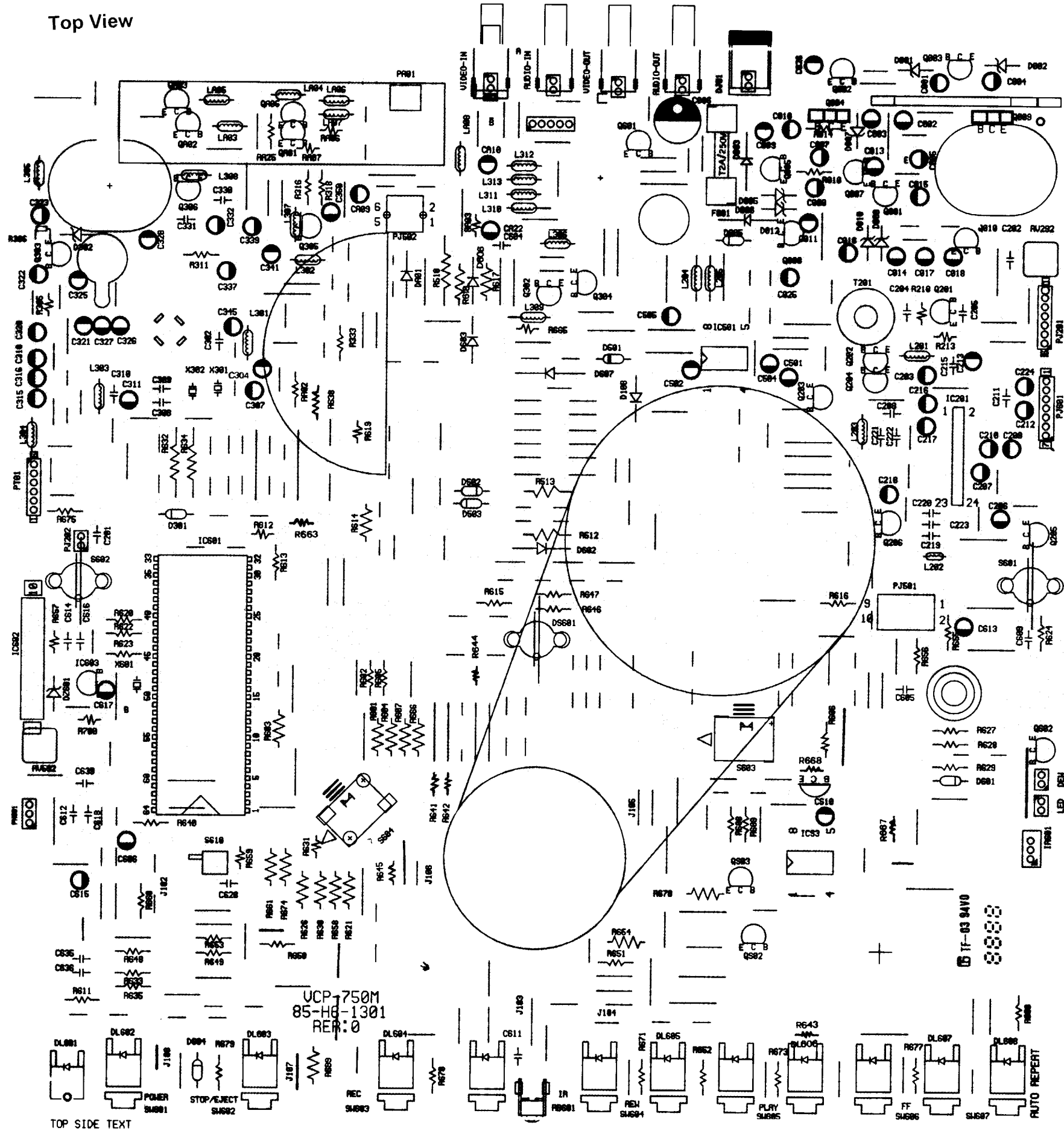
9-4 PARTS LIST OF DECK ASS'Y

LOC.	STOCK NO.	PART NAME	DESCRIPTION
M01	97PB0891D-	DECK TOTAL AS	VDN-72201/K22 (2HD SP/EP DLC)
M01	97PB0892D-	DECK TOTAL AS	VDN-74201/K52 (4HD MONO DLC)
M01	97PB0893D-	DECK TOTAL AS	VDN-76201/K82 (4HD HIFI DLC)
AD001	97PA252371	DRUM PRICE AS	2HD SP/EP DLC (K22)
AD001	97PA254301	DRUM PRICE AS	2HD HIFI DLC
AD001	97PA252471	DRUM PRICE AS	4HD MONO DLC (K52)
AD001	97PA252571	DRUM PRICE AS	4HD HIFI DLC (K82)
AD001	97PA252671	DRUM PRICE AS	6HD MONO DLC
AF001	97SA251400	F/L AS	K-MECHA
AM001	97SA252100	DECK AS	K-MECHA
A0100	97SA309700	MAIN BASE AS	K-MECHA
A0200	97S0901400	PLATE CONNECT	SECC T1.0
A0300	97S2701800	RACK F/L	PBT (KP213G30) NATURAL
A0400	97SA310900	S SLANT POLE AS	K-MECHA
A0500	97SA311000	T SLANT POLE AS	K-MECHA
A0600	97SA308500	L LOADING AS	K-MECHA
A0700	97SA308600	R LOADING AS	K-MECHA
A0800	97SA308400	LOADING RACK AS	K-MECHA
A0900	97S3101800	WASHER POLY	K-MECHA
A1000	97S8100700	MOTOR CAPSTAN	F2QTB12
A1000	97S8100800	MOTOR CAPSTAN	DMVCMC06D
A1100	97S3102000	SCREW TAPTTE	P-TTTE 2.6X7 MFZN
A1200	97S3004000	SPG AC HEAD	SUS304WPB D1.2
A1300	97SA311200	AC HEAD AS	K-MECHA
A1400	73SA311201	NUT HEX	6N-1-5 MFZN
A1500	97S2604100	LEVER RELAY	ZDC-2
A1600	97S2701400	GEAR CAM	DELIN 100 BLACK

LOC.	STOCK NO.	PART NAME	DESCRIPTION
A1700	97SA310700	PINCH LEVER TOT AS	K-MECHA
A1800	97S3117300	WASHER POLY	D3.6XD8XT0.5
A1900	97SA310400	L/C BRKT TOT AS	K-MECHA
A2000	7274300611	SCREW TAPTITE	TT3 RND 3X6 MFZN
A2100	97SA311600	IDLER PLATE AS	K-MECHA
A2200	97S3108200	POLYWASHER	D2.6XD8XT0.5
A2300	97S2901600	TABLE REEL	POM (KEPITAL F20) BLACK
A2400	97S3903600	POLY SLIDER	D3.1XD6XT0.5
A2500	97SA310800	TENSION BAND AS	K-MECHA
A2600	97S3003500	SPG TENSION	SWPB D0.4
A2700	97SA309300	S SUB BRAKE AS	K-MECHA
A2800	97SA309400	T SUB BRAKE AS	K-MECHA
A2900	97SA309100	S MAIN BRAKE AS	K-MECHA
A3000	97SA309200	T MAIN BRAKE AS	K-MECHA
A3100	97S8012900	HEAD FE	HVFHF0004AK
A3200	97S3102100	SCREW TAPTITE	P-TITE 2.6X10 MFZN
A3300	97SA309000	REEL GEAR TOT AS	K-MECHA
A3400	97S3108200	POLYWASHER	D2.6XD6.0XT0.5
A3500	97S5500400	BELT REEL	CR73
A3600	97S263500	LEVER RECORD SAFETY	F20-03 NATURAL
A3700	97SB38110	EARTH BRACKET AS	G-MECHA, K-MECHA
A3800	7274301011	SCREW TAPTITE	TT3 RND 3X10 MFZN
A3900	7274301211	SCREW TAPTITE	TT3 RND 3X10 MFZN
A4000	7274300611	SCREW TAPTITE	TT3 RND 3X10 MFZN
A4100	2291129004	OIL LUBRICANT	OA-305A
A4200	2291131304	GREASE	DELUXE 5221G (NAM-YOUNG)

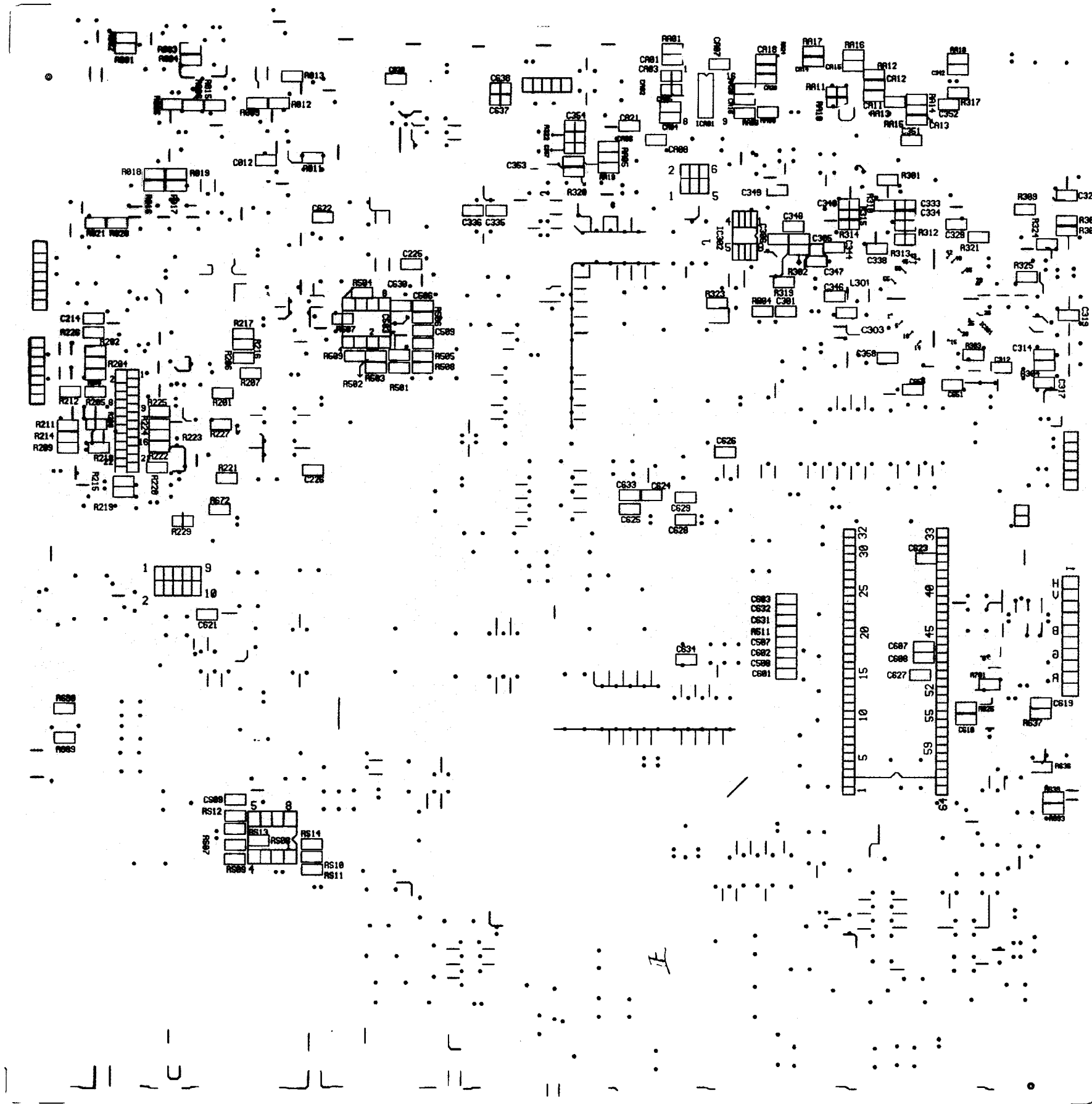
VCP/VCR PRINTED CIRCUIT BOARDS

Top View

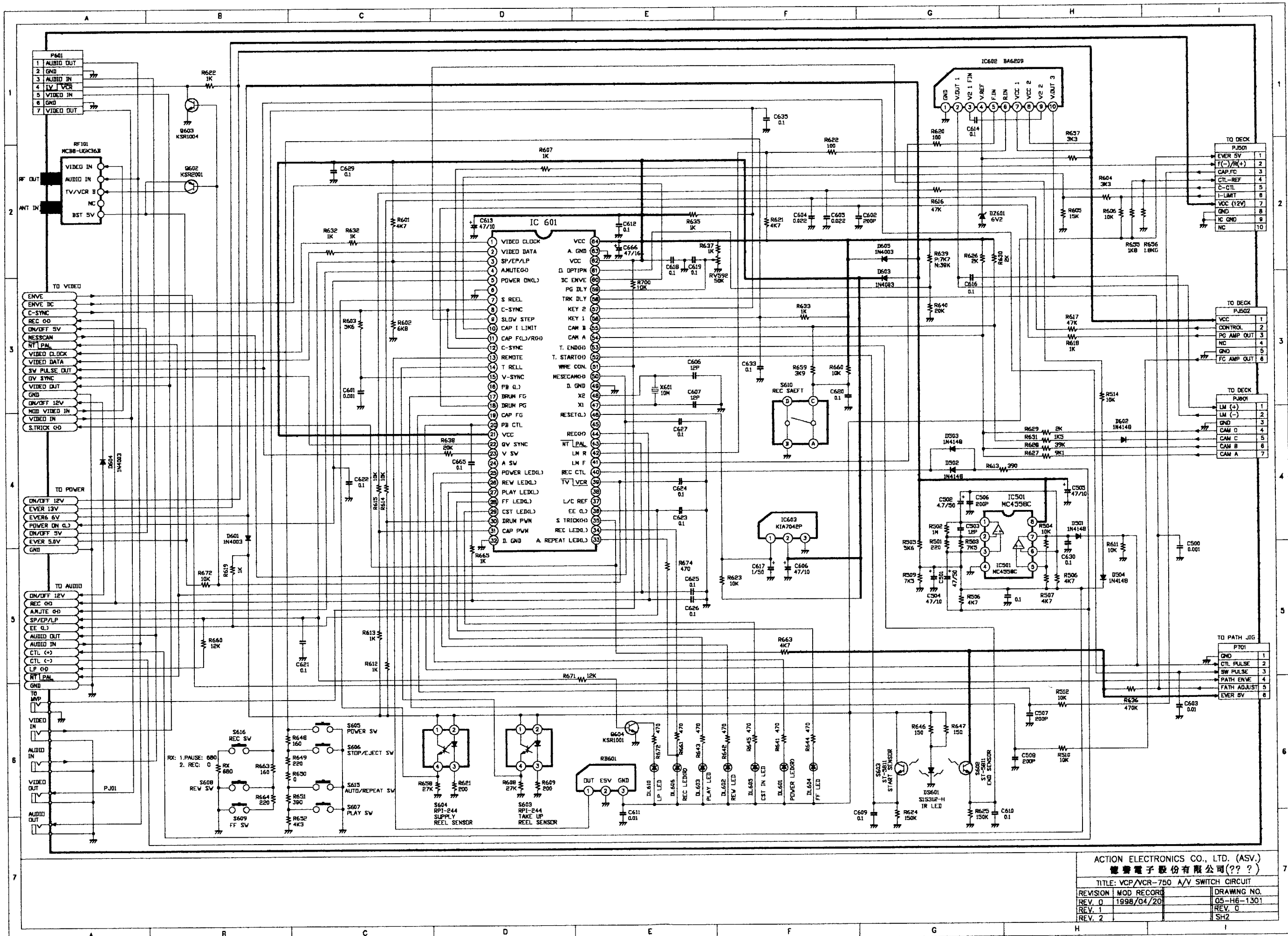


TOP SIDE TEXT

Bottom View



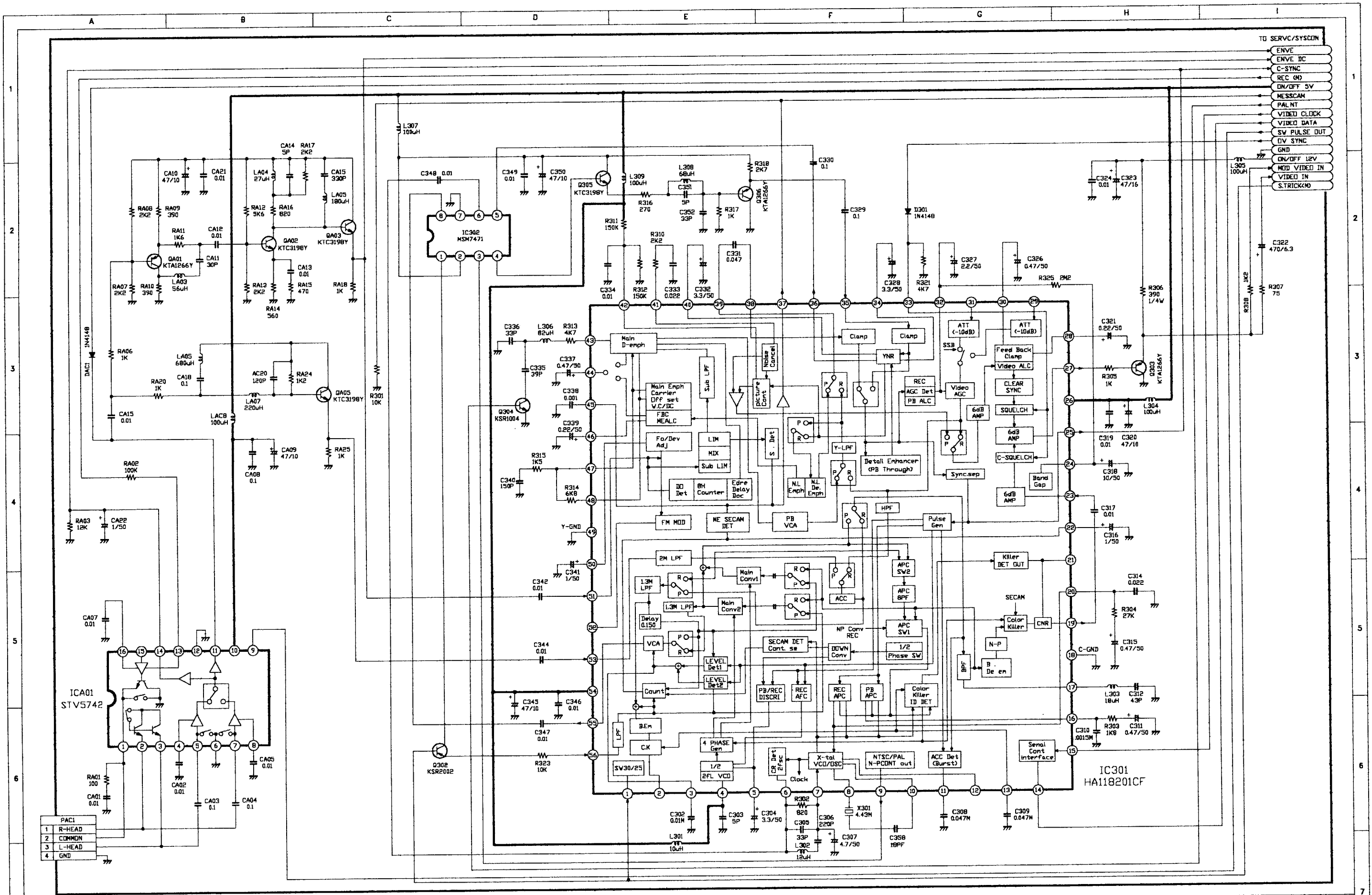
BOTTOM SIDE TEXT



ACTION ELECTRONICS CO., LTD. (ASV.)
 德豐電子股份有限公司(???)

TITLE: VCP/VCR-750 A/V SWITCH CIRCUIT

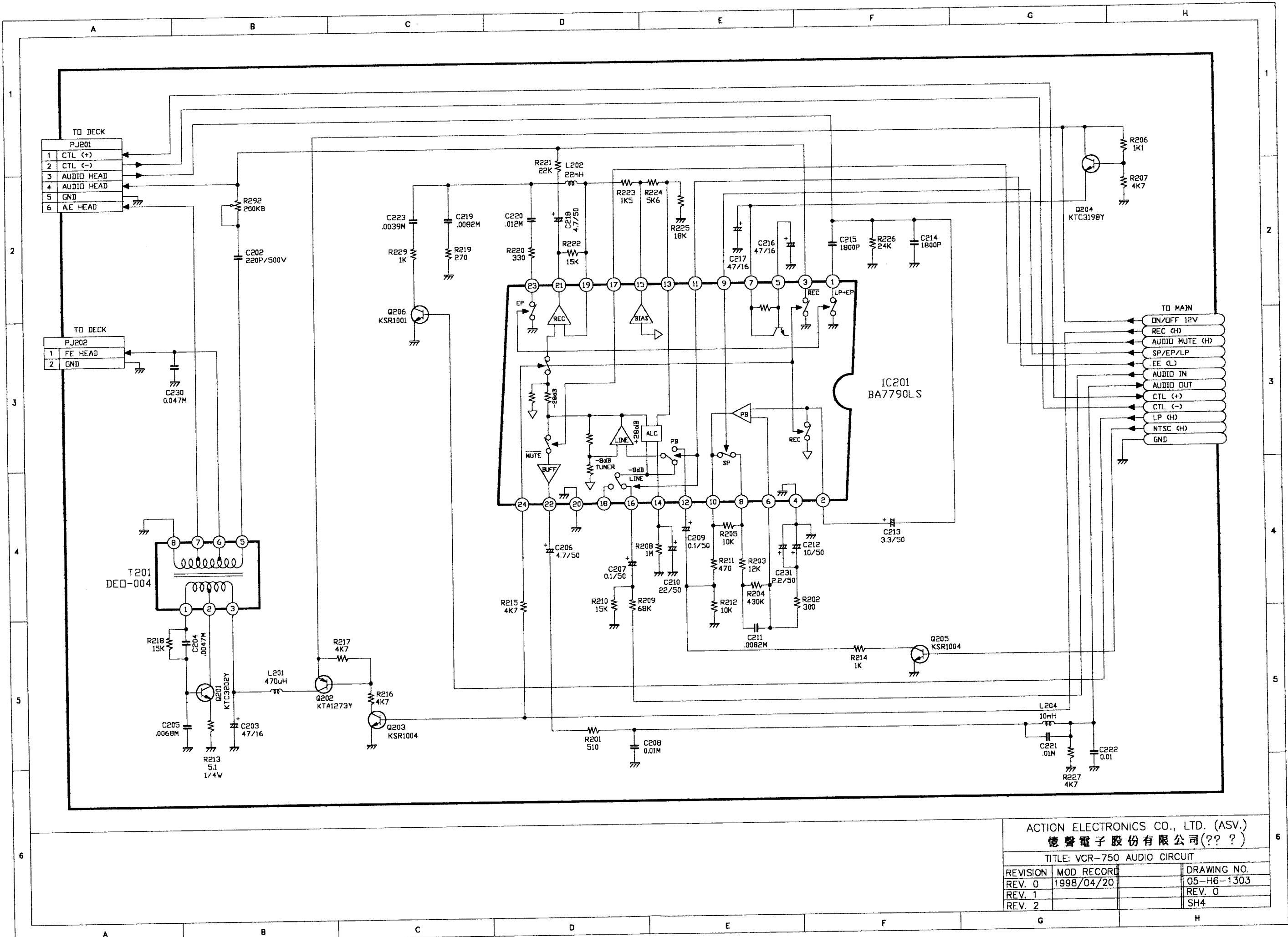
REVISION	MOD	RECORD	DRAWING NO.
REV. 0	1998/04/20		05-H6-1301
REV. 1			REV. 0
REV. 2			SH2



ACTION ELECTRONICS CO., LTD. (ASV.)
 德發電子股份有限公司(???)

TITLE: VCP/VCR-750 B/I HEAD AMP & VIDEO CIRCUIT

REVISION	MOD RECORD	DRAWING NO.
REV. 0	1998/04/20	05-H6-1302
REV. 1		REV. 0
REV. 2		SH3



ACTION ELECTRONICS CO., LTD. (ASV.)
 德聲電子股份有限公司(???)

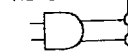
TITLE: VCR-750 AUDIO CIRCUIT

REVISION	MOD	RECORD	DRAWING NO.
REV. 0	1998/04/20		05-H6-1303
REV. 1			REV. 0
REV. 2			SH4

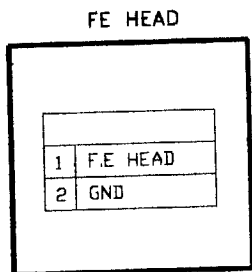
MAIN PCB

DECK ASSY

AC INPUT



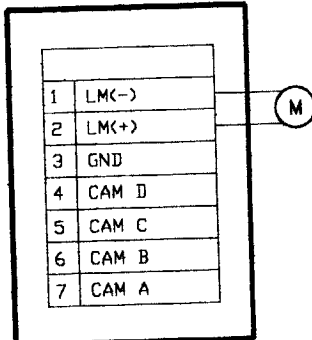
PJ202	
F.E HEAD	1
GND	2



CAPSTAN MOTOR PCB

VCC (E 5V)	1
F/R	2
C. FG	3
CTL REF	4
CONTROL	5
I-LIMIT	6
VCC (M)	7
GND	8
IC-GND	9
N.C	10

L/C MOTOR PCB



A/C HEAD PCB

PH01	
A.E HEAD	1
A.E GND	2
AUDIO P HEAD	3
AUDIO R HEAD	4
CTL HEAD(-)	5
CTL HEAD(+)	6

PJ601	
LM(-)	1
LM(+)	2
GND	3
CAM D	4
CAM C	5
CAM B	6
CAM A	7

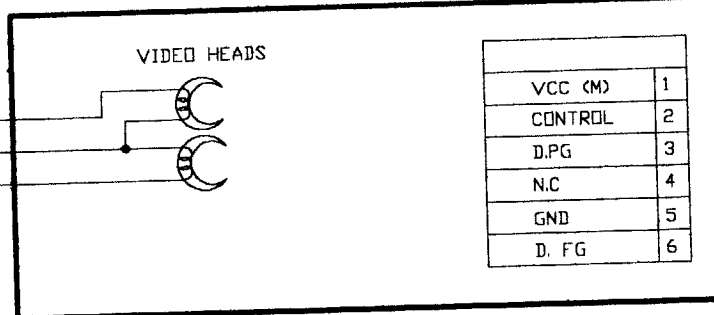
PJ501	
1 VCC (E 5V)	
2 F/R	
3 C. FG	
4 CTL REF	
5 CONTROL	
6 I-LIMIT	
7 VCC (M)	
8 GND	
9 IC-GND	
10 N.C	

PATH JIG

PT01	
GND	1
CTL PULSE	2
SW PULSE	3
PATH ENVE	4
PATH ADJUST	5
EVER 5V	6

PJ201	
1 A.E HEAD	
2 A.E GND	
3 AUDIO P HEAD	
4 AUDIO R HEAD	
5 CTL HEAD(-)	
6 CTL HEAD(+)	

DRUM & DRUM MOTOR PCB



PA01	
R-HEAD	1
COMMON	2
L-HEAD	3
GND	4

PJ601	
AUDIO OUT	1
GND	2
AUDIO IN	3
TV/VCR	4
VIDEO IN	5
GND	6
VIDEO OUT	7

SCART PCB

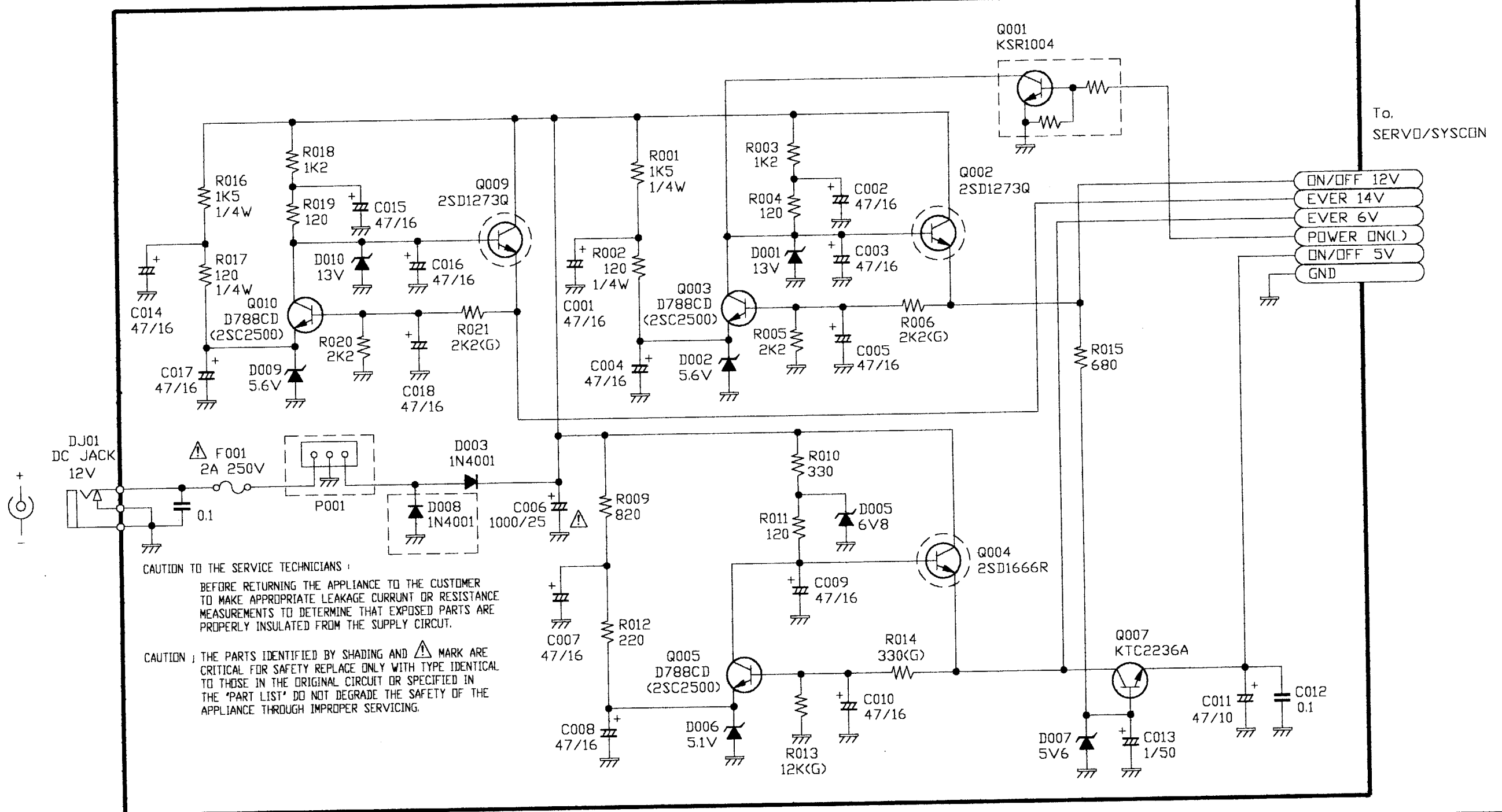
P101	
1 AUDIO OUT	
2 GND	
3 AUDIO IN	
4 TV/VCR	
5 VIDEO IN	
6 GND	
7 VIDEO OUT	

ACTION ELECTRONICS CO., LTD. (ASV.)
 億聲電子股份有限公司(???)

TITLE: VCP/VCR-750 CONNECTION DIAGRAM

REVISION	MOD RECORD	DRAWING NO.
REV. 0	1998/04/20	05-H6-1304
REV. 1		REV. 0
REV. 2		SH5

POWER circuit-diagram



CAUTION TO THE SERVICE TECHNICIANS :
 BEFORE RETURNING THE APPLIANCE TO THE CUSTOMER
 TO MAKE APPROPRIATE LEAKAGE CURRENT OR RESISTANCE
 MEASUREMENTS TO DETERMINE THAT EXPOSED PARTS ARE
 PROPERLY INSULATED FROM THE SUPPLY CIRCUIT.

CAUTION ; THE PARTS IDENTIFIED BY SHADING AND Δ MARK ARE
 CRITICAL FOR SAFETY REPLACE ONLY WITH TYPE IDENTICAL
 TO THOSE IN THE ORIGINAL CIRCUIT OR SPECIFIED IN
 THE 'PART LIST' DO NOT DEGRADE THE SAFETY OF THE
 APPLIANCE THROUGH IMPROPER SERVICING.

ACTION ELECTRONICS CO., LTD. (ASV.)
 億聲電子股份有限公司(???)

TITLE: VCP/VCR-750 POWER CIRCUIT

REVISION	MOD RECORD	DRAWING NO.
REV. 0	1998/04/20	05-H6-1305
REV. 1		REV. 0
REV. 2		SH6

PCB Ass'y Number:02-L1-1803A VCR-440BF MAIN PCB ASS'Y

Item	Component Item	Description	Qty Per	Remarks
1	03-L1-1803A	VCR-440BF MAIN PCB ASS'Y	1	
2	10-04-1030	IC BA6209 10PIN	1	IC602
3	10-05-1047A	IC 7806A(JRC) VCP-751/752	1	Q009
4	10-09-1019	IC MC4558/BA4558 DIP 8	1	IC501(OPAMP)
5	10-10-1049	MICOM IC ACN-750-01 64PIN	1	IC601(MICOM)
6	10-20-0303	IC BA7790LS 24PIN	1	IC201(AUDIO)
7	10-22-1025	IC KIA7042P 3PIN	1	IC603(SWITCH)
8	12-03-2032	TR KSA614-Y TO-220 PNP	1	Q004
9	12-04-1002	TR D788CD/2SC2500 TO-92 NPN	1	Q007
10	12-05-5006A	X'TAL 4.433619MHZ	1	X301
11	12-05-5028	X'TAL 10MHZ	1	X601
12	13-03-1000	DIODE 1N4148 TAP 52 J	2	DA01.D608
13	13-05-1000	DIODE 1N4001 1A/50 DO-41	2	D012.607
14	14-04-0001	TR PHOTO ST-5811	2	S601.602
15	14-04-0002	SENSOR REEL SG-239S	2	S603.604
16	14-04-0003	LED IR S15312-H	1	DS601
17	16-12-1331	RESISTOR CF 330 1/4W J	1	R02
18	16-12-1391	RESISTOR 390 OHM 1/4W	1	R306
19	16-12-1519	RESISTOR 5.1 OHM 1/4W	1	R213
20	16-23-1102	RESISTOR CF 1K 1/8W J	2	R632.634
21	16-23-1103	RESISTOR CF 10K 1/8W J	1	R510
22	16-23-1104	RESISTOR CF 100K 1/8W J	1	
23	16-46-1109K	RESISTOR 1 OHM 1W J	1	R07
24	17-23-3102	CAPACITOR CE 10000UF M 25V	1	C006
25	18-50-1900	COIL OSC DEO-004	1	T201
26	19-40-1100	CHOKE 10UH J MINI	1	L203
27	19-40-1101	CHOKE 100UH J MINI	5	LA08.L304.305.307.309
28	19-40-1120	CHOKE 12UH J MINI	1	L302
29	19-40-1180	CHOKE L 18UH 5%	1	L303
30	19-40-1181A	CHOKE L 180UH 5%	1	LA05
31	19-40-1221A	GLOBE CHOKE 220UH K 球形電感	1	LA07
32	19-40-1270	CHOKE 27UH 5%	1	LA04
33	19-40-1271A	CHOKE L 270UH 5%	1	L313
34	19-40-1330	CHIKI 33UH J MINI	2	L310.311
35	19-40-1471A	CHOKE L 470UH 5%	1	L201
36	19-40-1560	CHOKE 56UH	1	LA03
37	19-40-1680	CHOKE L 68UH 5%	1	L308
38	19-40-1681	CHOKE L 680UH 5%	1	LA06
39	19-40-1820	CHOKE L 82UH 5%	2	L306 312
40	19-40-2223A	CHOKE 22mH K	1	L202

PCB Ass'y Number:02-L1-1803A VCR-440BF MAIN PCB ASS'Y

Item	Component Item	Description	Qty Per	Remarks
41	19-40-2689	CHOKE L 6.8UH K	2	L204.205
42	19-42-1100	CHOKE 10UH J MINI	1	L301
43	21-76-1042	SEMI VR 100KB CARBON 6DV	1	RV292
44	21-76-5031	SEMI VR 50KB CARBON 6DH	1	RV592
45	22-81-0103	SWITCH TACT	5	SW601.602.603.604.605
46	22-81-0103	SWITCH TACT	2	SW606.607
47	22-H6-0101	REC SW MICRD SPPB62	1	S610
48	23-01-0004	FUSE HOLDER 20MM	2	F001
49	24-51-6001	WAFER 6P 2mm STRAIGHT	1	PT01
50	24-AA-0621	CONN B/B TKC-GP PLUG 6PIN	1	PJ502
51	24-AA-1021	CONN B/B TKC-GP PLUG 10PIN	1	PJ501
52	24-H6-2001	CONN AS 2H-2S 90MM	1	PJ202
53	24-H6-4001	CONN HOUSING 4PIN	1	PA01
54	24-H6-6001A	CONN AS 6H-6S 160MM (NEW)	1	PJ201
55	24-H6-7001	CONN AS (Y10712) 7H-7S 120MM	1	PJ601
56	24-L1-0301	HOUSING CABLE 4PIN	1	IR601
57	24-L1-1016	HOUSING 1P 440 M/M	1	DC JACK
58	24-L1-4003	HOUSING 4P (FERRITE RING)	1	VIDEO -IN/OUT
59	24-L1-4004	HOUSING 4P (FUROTE RING)	1	AUDIO-IN/OUT
60	25-03-2021	FUSE T2A/250V 5.2*20 VDE	1	F001
61	29-32-5001	LED 5D RED	3	DL602.604.608
62	29-35-5001	LED 5D GREEN	3	DL607.605.606
63	30-22-0153	BLACK WIRE UL#22 150mm	1	
64	31-04-0010	NYLON TIE 10CM	2	
65	51-H6-0001	COVER SHI PLT	1	HEAD COVER PLT
66	69-41-3006	SCREW MTP 3*6 RD+	2	
67	80-01-0001	SOLDER 63%-37% 錫棒	0.02	
68	80-01-0002	SOLDER 60%-40% 錫絲	0.0168	
69	87-H6-0301	CASE SHI PREAMP	1	HEAD COVER PREAMP
70	87-H6-0401	COVER SHI PREAMP	1	HEAD COVER PREAMP
71	87-L5-0602	POWER HEAT SINK	1	
72	88-01-0860	LED HOLD LEK2-15TW	6	
73	88-H6-0701	ST5811 HOLDER TR ABS	2	S601.602
74	88-H6-0702	LED IR HOLDER ABS	1	DS601
75	90-W9-0002	TV PCB PLT	1	
76	ST-03-3	紙膠帶	0.025	

PCB Ass'y Number:03-L1-1803A VCR-440BF MAIN PCB ASS'Y

Item	Component Item	Description	Qty Per	Remarks
1	12-01-1010	TR KTC3198Y (1815Y)	5	QA02.03.05.Q204.305
2	12-01-2002	TR KTA1266Y (1015Y)	3	QA01.Q303.Q306
3	12-01-2003	TR KSR2002	1	Q302
4	12-02-1003	2R 2SC945K TO-9	2	Q003.010
5	12-02-1050	TR KTC3205Y (2236Y)	1	Q201
6	12-02-2033	TR KTA1273Y (966Y)	1	Q202
7	12-03-2031	TR HIT8550 TO-92 PNP	1	Q602
8	12-04-1044	TR KSR1004	5	Q203.205.304.001.008
9	13-06-1120	DIODE HZ12-1 12V J	1	ZD01
10	13-06-1519	DIODE HZ5C-2/1 5.1V J	1	D302
11	13-06-1569	D HZ6B-1 5.6V	1	ZD02
12	13-06-1629	DIODE HZ6C-2 6.2V J	1	DZ601
13	13-23-1000	DIODE 1N4148 DO-35	5	D301.501.502.503.601
14	16-23-1101	RESISTOR CF 100 1/8W J	2	R620.622
15	16-23-1102	RESISTOR CF 1K 1/8W J	5	R607.612.613.618.619
16	16-23-1102	RESISTOR CF 1K 1/8W J	2	R633.635
17	16-23-1102	RESISTOR CF 1K 1/8W J	2	RA06.25
18	16-23-1103	RESISTOR CF 10K 1/8W J	6	R606.512.675.700.01.04
19	16-23-1103	RESISTOR CF 10K 1/8W J	5	R614.615.623.660.665
20	16-23-1104	RESISTOR CF 100K 1/8W J	1	RA02
21	16-23-1121	RESISTOR CF 120 1/8W J	1	R305
22	16-23-1123	RESISTOR CF 12K 1/8W T	1	RA03
23	16-23-1151	RESISTOR CF 150 1/8W J	2	R646.647
24	16-23-1152	RESISTOR CF 1.5K 1/8W J	1	R631
25	16-23-1153	RESISTOR CF 15K 1/8W J	2	R605.218
26	16-23-1154	RESISTOR CF 150K 1/8W J	2	R311.624
27	16-23-1161	RESISTOR 160 OHM 1/8W	2	R648.653
28	16-23-1181	RESISTOR CF 180 1/8W J	5	R641.642.643.644.645
29	16-23-1181	RESISTOR CF 180 1/8W J	3	R661.674.678
30	16-23-1182	RESISTOR CF 1.8K 1/8W J	2	R655.656
31	16-23-1201	RESISTOR 200 1/8W	2	R609.621
32	16-23-1202	RESISTOR 2K 1/8W T	3	R626.629.630
33	16-23-1203	RESISTOR CF 20K 1/8W T	2	R638.640
34	16-23-1221	RESISTOR CF 220 1/8W J	3	R649.654.R03
35	16-23-1222	RESISTOR CF 2.2K 1/8W J	1	RA07
36	16-23-1271	RESISTOR CF 270 1/8W J	1	R316
37	16-23-1272	RESISTOR CF 2.7K 1/8W J	2	R318.R333
38	16-23-1273	RESISTOR CF 27K 1/8W J	2	R608.658
39	16-23-1331	RESISTOR CF 330 1/8W J	1	R651
40	16-23-1332	RESISTOR CF 3.3K 1/8W J	2	R604.657

PCB Ass'y Number:03-L1-1803A VCR-440BF MAIN PCB ASS'Y

Item	Component Item	Description	Qty Per	Remarks
41	16-23-1333	RESISTOR CF 33K 1/8W J	1	R617
42	16-23-1391	RESISTOR CF 390 1/8W J	1	R513
43	16-23-1392	RESISTOR CF 3.9K 1/8W J	2	R628.659
44	16-23-1432	RESISTOR 4K3 1/8W	1	R652
45	16-23-1472	RESISTOR CF 4.7K 1/8W J	2	R601.663
46	16-23-1473	RESISTOR CF 47K 1/8W J	1	R616
47	16-23-1511	RESISTOR 510 OHM 1/8W	1	R666
48	16-23-1562	RESISTOR CF 5.6K 1/8W J	1	R603
49	16-23-1681	RESISTOR CF 680 1/8W J	1	R06
50	16-23-1682	RESISTOR CF 6.8K 1/8W J	1	R602
51	16-23-1822	RESISTOR CF 8.2K 1/8W J	1	R005
52	16-23-1912	RESISTOR CF 9.1K 1/8W T	1	R627
53	27-15-1221	CAPACITOR CC 220P J 50V	1	C202
54	27-15-4103	CAPACITOR CC 0.01UF N 50V	5	C208.221.222.639.J106
55	27-15-4104	CAPACITOR CC 0.1U N 50V	5	C609.611.612.614.616
56	27-15-4104	CAPACITOR CC 0.1U N 50V	2	C618.620
57	27-15-4104	CAPACITOR CC 0.1U N 50V	5	C330.635.636.C01.622
58	27-35-2103	CAPACITOR PE 0.01UF K 100V	1	C302
59	27-35-2152	CAPACITOR PE .0015UF K 100V	1	C310
60	27-35-2223	CAPACITOR PE 0.022UF K 100V	2	C604.605
61	27-35-2472	CAPACITOR PE 0.0047UF K 100V	1	C204
62	27-35-2473	CAPACITOR PC 0.047UF K 100V	4	C201.308.309.331
63	27-35-2682	CAPACITOR PE 0.0068UF J 50V	2	C205.219
64	27-35-2822	MC 0.0082	1	C211
65	27-91-3471	EC 470U/10V	1	C322
66	27-92-3101	CAPACITOR CE 100UF M 16V	1	C240
67	27-92-3470	EC 47U/16V	5	CA09.C320.323.345.350
68	27-92-3470	EC 47U/16V	4	C615.C011.025.016
69	27-92-3470	EC 47U/16V	4	CA10.C203.216.217
70	27-92-3470	EC 47U/16V	5	C501.504.505.606.613
71	27-93-3220	EC 22U/25V	1	C210
72	27-95-3100	EC 10U/50V	2	C318.325
73	27-95-3108	EC 0.1U/50V	3	C337.207.209
74	27-95-3109	EC 1U/50V	5	CA22.C316.341.617.C015
75	27-95-3109	EC 1U/50V	1	C018
76	27-95-3228	EC 0.22U/50V M	2	C321.339
77	27-95-3229	EC 2.2U/50V M	2	C327.224
78	27-95-3339	EC 3.3U/50V M	4	C213.304.C328.332
79	27-95-3478	EC 0.47U/50V M	3	C311.315.326
80	27-95-3479	EC 4.7U/50V M	5	C206.212.218.307.502

PCB Ass'y Number:03-L1-1803A VCR-440BF MAIN PCB ASS'Y

Item	Component Item	Description	Qty Per	Remarks
81	30-10-0050	BARE WIRE 5mm	56	
82	30-10-0075	JUMP 7.5mm	54	
83	30-10-0075	JUMP 7.5mm	1	R650
84	30-10-0100	BARE WIRE 10mm	44	
85	30-10-0125	BARE WIRE 12.5mm	38	
86	30-10-0150	BARE WIRE 15mm	28	
87	30-10-0200	BARE WIRE 20mm	13	
88	85-H6-1302A	MAIN PCB (94V0)	1	

PCB Ass'y Number:04-L1-1803A VCR-440BF MAIN PCB ASS'Y

Item	Component Item	Description	Qty Per	Remarks
1	10-03-1027	IC STV5742 16PIN	1	ICA01 (HEADAMP)
2	10-20-0205	IC HA118201CF 56PIN	1	IC301 (VIDEO)
3	10-22-1026	IC MSM7470-71MS 8PIN	1	IC302 (CCD)
4	16-62-1101	RESISTOR CP 100 1/10W J	2	R319.RA01
5	16-62-1102	RESISTOR 1K 1/10W CP	5	R201.317.637.214.RA18
6	16-62-1102	RESISTOR 1K 1/10W CP	1	RA20
7	16-62-1103	RESISTOR 10K 1/10W CP	5	R301.511.205.212.323
8	16-62-1103	RESISTOR 10K 1/10W CP	1	RA04
9	16-62-1104	RESISTOR CP 100K 1/10W J	1	R694
10	16-62-1105	RESISTOR 1M 1/16W CP	2	R502.208
11	16-62-1112	RESISTOR 1K1 1/10W CP	1	R206
12	16-62-1122	RESISTOR 1K2 1/10W CP	3	R308.RA11.RA24
13	16-62-1123	RESISTOR 12K 1/10W CP	2	R203.R672
14	16-62-1152	RESISTOR 1K5 1/10W CP	2	R315.223
15	16-62-1153	RESISTOR 15K 1/10W	2	R210.222
16	16-62-1154	RESISTOR 150K 1/10W CP	2	R312.625
17	16-62-1182	RESISTOR CP 1K8 1/10W J	1	R303
18	16-62-1183	RESISTOR 18K 1/10W CP	1	R225
19	16-62-1221	RESISTOR 220 1/10W CP	2	R202 501
20	16-62-1222	RESISTOR CP 2K2 1/10W J	5	R310.RA08.13.19.RA17
21	16-62-1223	RESISTOR 22K 1/10W CP	1	R221
22	16-62-1225	RESISTOR 2.2M 1/10W	1	R325
23	16-62-1243	RESISTOR 24K 1/10W CP	1	R226
24	16-62-1271	RESISTOR 270 1/10W CP	1	R219
25	16-62-1272	RESISTOR 2K7 1/10W CP	1	R322
26	16-62-1273	RESISTOR CP 27K 1/10W J	1	R304
27	16-62-1331	RESISTOR CP 330 1/10W J	1	R701
28	16-62-1391	RESISTOR 390 1/16W CP 0805	2	RA09.10
29	16-62-1393	RESISTOR CP 39K 1/10W J	1	R693
30	16-62-1434	RESISTOR 430K 1/10W CP	1	R204
31	16-62-1471	RESISTOR CP 470 1/10W J	3	RA05.15.R211
32	16-62-1472	RESISTOR 4.7K 1/10W CP	5	R313.508.215.216.207
33	16-62-1472	RESISTOR 4.7K 1/10W CP	5	R321.506.227.217.R689
34	16-62-1472	RESISTOR 4.7K 1/10W CP	2	R690.R803
35	16-62-1473	RESISTOR CP 47K 1/10W J	1	R504
36	16-62-1474	RESISTOR 470K 1/10W CP	1	R636
37	16-62-1561	RESISTOR CP 560 1/10W J	1	RA14
38	16-62-1562	RESISTOR 5K6 1/10W CP	3	R224.505.RA12
39	16-62-1682	RESISTOR 6K8 1/10W CP	1	R314
40	16-62-1683	RESISTOR 68K 1/10W CP	2	R209.324

PCB Ass'y Number:04-L1-1803A VCR-440BF MAIN PCB ASS'Y

Item	Component Item	Description	Qty Per	Remarks
41	16-62-1750	RESISTOR 75 1/10W CP	2	R307.309
42	16-62-1752	RESISTOR 7K5 1/10W CP	3	R503.509.639
43	16-62-1821	RESISTOR 820 1/10W CP	2	R302.RA16
44	16-62-1911	RESISTOR 910 OHM 1/10W CP	1	R320
45	16-62-1912	RESISTOR 9K1 1/10W CP	1	R507
46	28-11-1050	CAPACITOR CP 5P J 10V	3	C351.354.CA14
47	28-11-1080	CERAMIC CAP 8PF	1	C303
48	28-11-1100	CERAMIC CAP 10P/10V	1	C353
49	28-11-1120	CERAMIC CAP 12P/10V	3	C503.607.608
50	28-11-1121	CERAMIC CAP 120P/50V CP	2	CA20.C634
51	28-11-1151	CERAMIC CAP 150P/10V CP	1	C340
52	28-11-1180	CERAMIC CAP 18P/10V	1	C358
53	28-11-1181	CERAMIC CAP 180PF	3	C650.651.357
54	28-11-1221	CERAMIC CAP 220/50V CP	4	C306.507.508.602
55	28-11-1300	CERAMIC CAP 30P/10V CP	2	CA11.C352
56	28-11-1330	CERAMIC CAP 33P/10V CP	3	C305.335.336
57	28-11-1331	CERAMIC CAP 330PF/50V CP	1	CA15
58	28-11-1430	CERAMIC CAP 43P/10V CP	1	C312
59	28-11-2102	CERAMIC CAP 0.001U/10V K CP	3	C338.506.633
60	28-11-2182	CERAMIC CAP 1800P/10V CP	1	C214
61	28-11-4103	CAPACITOR CP 0.01U N 10V	5	CA01.02.05.06.07
62	28-11-4103	CAPACITOR CP 0.01U N 10V	4	CA12.13.16.21
63	28-11-4103	CAPACITOR CP 0.01U N 10V	5	C601.301.317.319.324
64	28-11-4103	CAPACITOR CP 0.01U N 10V	5	C334.342.344.346.347
65	28-11-4103	CAPACITOR CP 0.01U N 10V	5	C348.349.509.603.624
66	28-11-4104	CERAMIC CAP 0.1UF/10V	5	CA03.04.08.18.C329
67	28-11-4104	CERAMIC CAP 0.1UF/10V	5	C637.638.619.621.623
68	28-11-4104	CERAMIC CAP 0.1UF/10V	5	C625.627.628.629.630
69	28-11-4104	CERAMIC CAP 0.1UF/10V	5	C631.632.610.626.020
70	28-11-4223	CHIP CERAMIC CAP 0.22U TDK	2	C333.314

FINAL Ass'y Number:02-L1-5010A VCR-440BF FINAL ASS'Y

Item	Component Item	Description	Qty Per	Remarks
1	02-L1-1803A	VCR-440BF MAIN PCB ASS'Y	1	
2	31-04-0010	NYLON TIE 10CM	3	
3	34-H6-0302	K-DECK DRP-7203 PAL (SP/LP)	1	
4	51-L1-0801A	FUN. PLT (440)	1	
5	55-02-3015	DOOR SPRING	1	
6	59-02-1003	SPONGE ADE 930	1	
7	59-02-1007	SPONGE ADH	1	
8	59-L5-0201	SOP-SPONGE 單面背膠	3	
9	69-21-2606	SCREW TP 2.6*6 RD+	4	
10	69-21-3006	SCREW TP 3*6 RD+	7	
11	69-21-4010	SCREW TP 4*10 RD+	3	
12	69-42-3006	SCREW MTP 3*6 RD+ BK	1	
13	69-70-3012	SCREW TPW	4	
14	87-H6-1101	DECK H/A SHIELD VCR-750	1	
15	87-L1-1501	DECK OBSTRUCT	1	
16	87-L1-1601	DOOR SPRING	1	
17	87-L1-1701	SECC T=1.5	2	
18	87-L1-1801	SHIELD COVER DECK SPT 0.3mm	1	
19	88-H6-0301	DOOR VCP-750 GM (ACTION)	1	
20	88-L1-0501A	DECK COVER (ABS)	1	
21	88-L1-1201	ABS VCR PUSH BUTTON (ABS)	1	
22	88-L1-1301	ABS DECK FRAME (ABS)	1	
23	88-L1-1401	LED POS6	6	
24	94-00-6556	DECK BOARD 655*562	0.125	
25	94-L1-1621	CARTON (TVR-440)	0.125	
26	96-L1-0401	POLYFORM T=10mm (TVR-440)	0.375	
27	96-L1-1001	POLYFORM FOR TVP-440 DECK	0.25	
28	97-06-4047	PE BAG	1	
29	ST-00-1	封箱膠帶 48m/m	0.035	
30	ST-04-3	玻璃膠帶	0.0067	